

# TF Series

## Connector for micro SD Card Push-Push Ejection Type Or Hinge Cover Type

Rohs指令对应品

### Part No.

**C** **X** **T** **F** — **P** **P** **0** — **A** **M**

Mild In China  
Micro SD/TFFlash Card

Mark	Remarks
PP0-AM	Push-Push Ejection Type
PP1	Push-Push Ejection Type+Switch
PP1-AM	Push-Push Ejection Type+Switch
PP2	Push-Push Ejection Type+Switch
PP3	Push-Push Ejection Type+Switch
HG2	Hinge Cover Type
HG3	Hinge Cover Type
N00	Normal Type

### Specifications

#### Electrical:

Contact Resistance: 80mΩ AT DC 100mA / 20 mV Max

Dielectric Withstanding Voltage: 500V AC

Insulation Resistance: 1000MΩ Min,AT 100V DC

Current Rating: 0.5A

Operating Temp Range: -25℃ ~ +85℃

#### Mating Cycles:

Push-Push Ejection Type: 10000 Cycles

Hinge Cover Type: 5000 Cycles

#### Material:

Housing: High Temperature Thermoplastics, UL94V-0

Contact: Copper Alloy

Shell: Copper Alloy

#### Finish:

Contact: Plated Gold in Mating Area Or Solder Tails

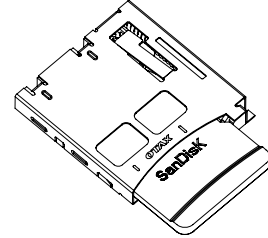
Shell: Nails Plating Gold

### Products List

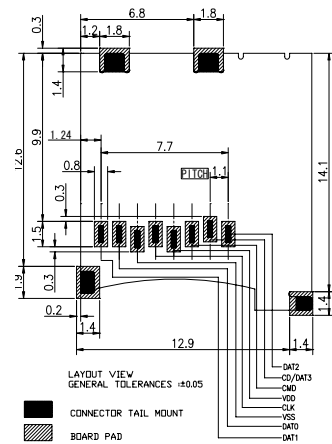
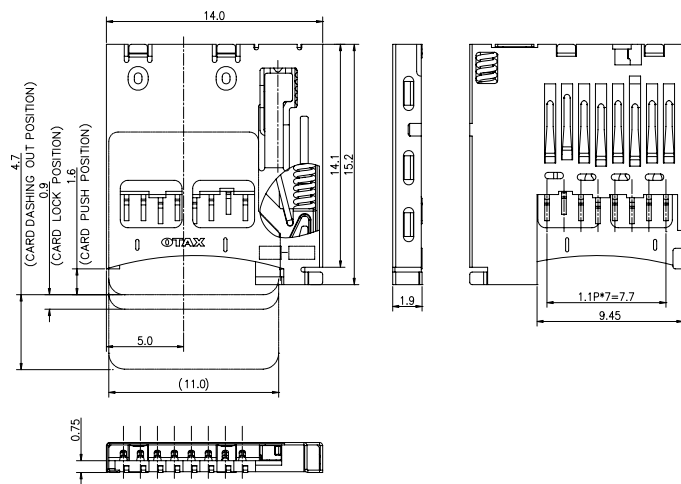
Media ejection structure	Mounting system	Features	Packing system	Unit per Tape	Product No.	Drawing No.
Push-Push Type	Standard Mount	Without Switch	Taping	1000	CXTF-PP0-AM	1
		With Switch			CXTF-PP1	2
					CXTF-PP1-AM	3
					CXTF-PP2	4
		CXTF-PP3			5	
Hinge Cover Type	Without Switch	CXTF-HG2	6			
CXTF-HG3		7				
Normal Type		SPTF-N00	8			

### CXTF-PP0-AM

Size	Pitch	Pin
W14.0*L15.2*H1.90	1.1	8



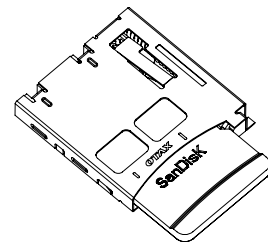
1



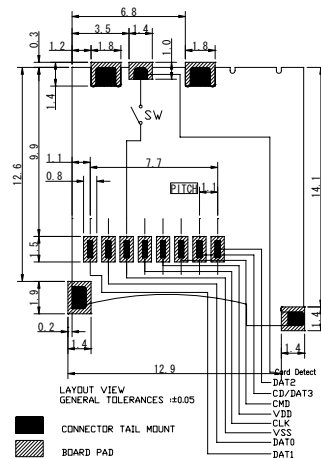
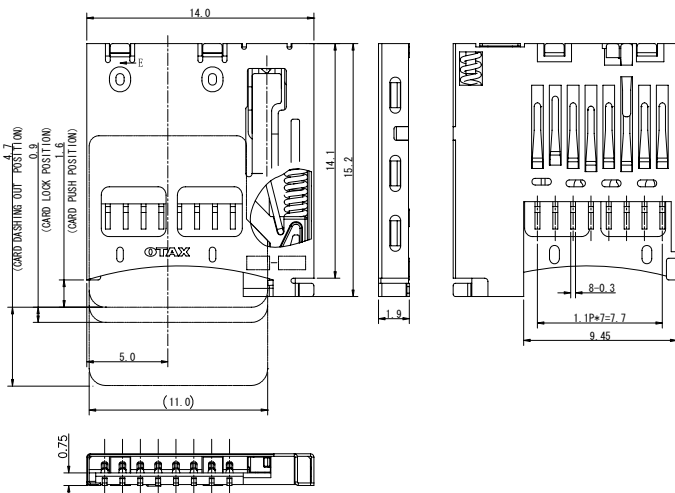
PC Board Layout

### CXTF-PP1

Size	Pitch	Pin
W14.0*L15.2*H1.90	1.1	8+1



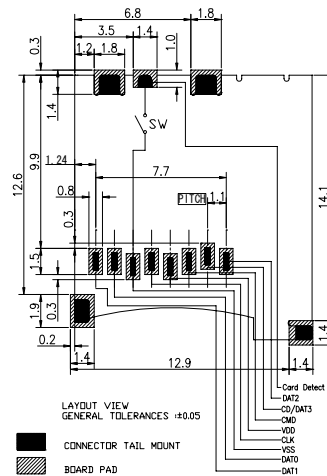
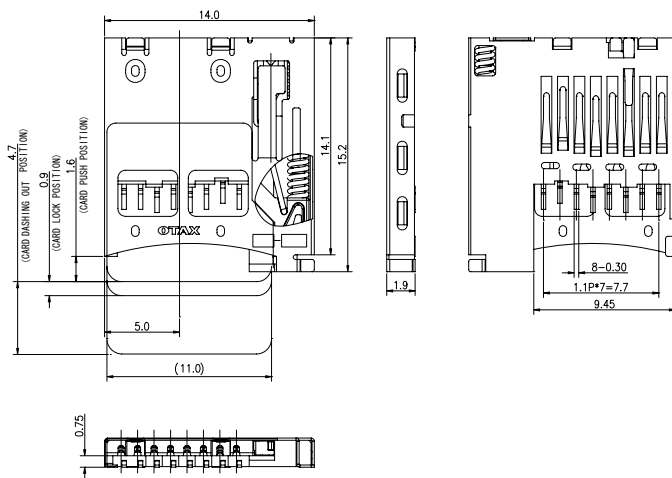
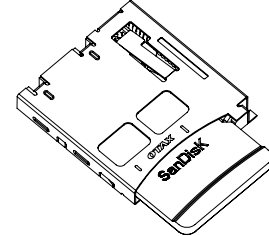
2



PC Board Layout

### CXTF-PP1-AM

Size	Pitch	Pin
W14.0*L15.2*H1.90	1.1	8+1

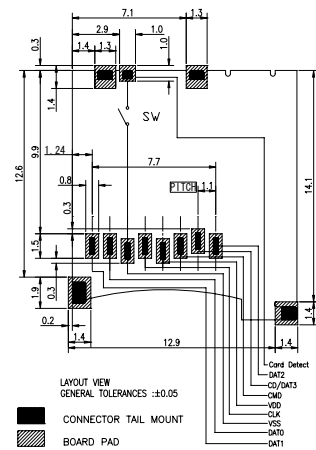
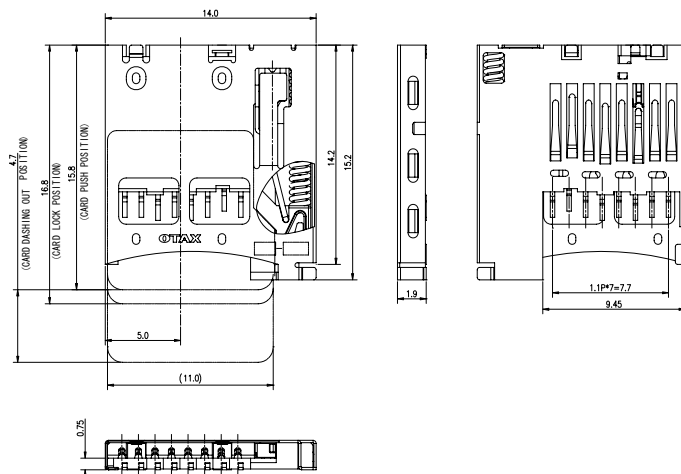
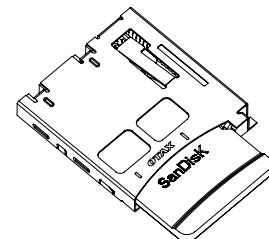


PC Board Layout

3

### CXTF-PP2

Size	Pitch	Pin
W14.0*L15.2*H1.90	1.1	8+1



PC Board Layout

4

# TF Series

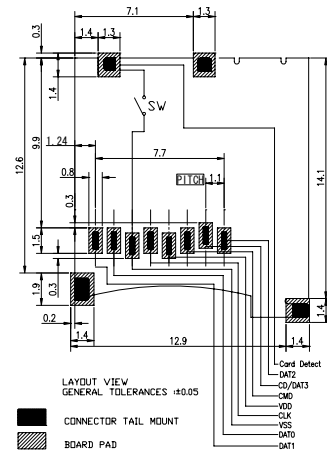
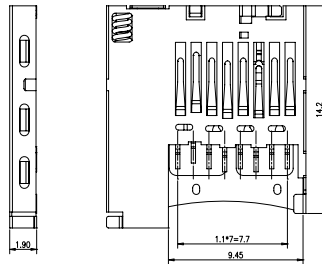
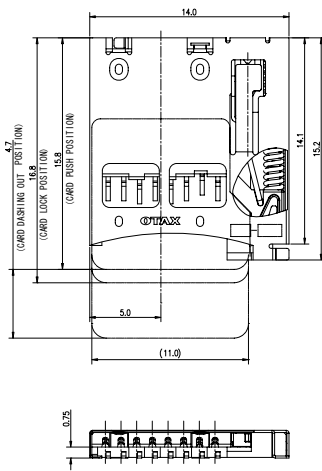
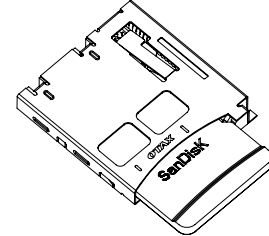
## Connector for micro SD Card Push-Push Ejection Type Or Hinge Cover Type

Rohs指令対応品

5

### CXTF-PP3

Size	Pitch	Pin
W14.0*L15.2*H1.90	1.1	8+1

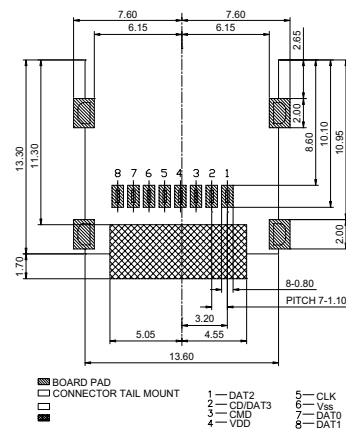
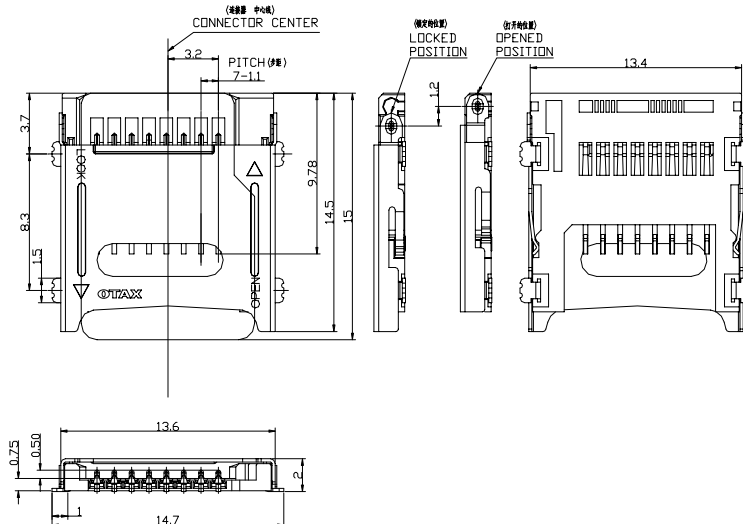


PC Board Layout

6

### CXTF-HG2

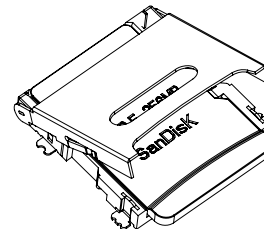
Size	Pitch	Pin
W13.4*L14.5*H1.95	1.1	8



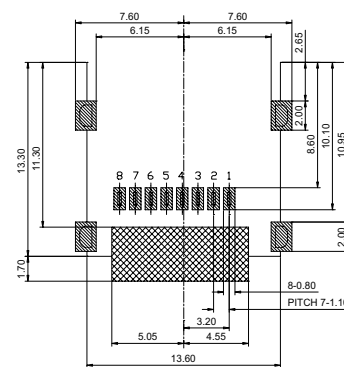
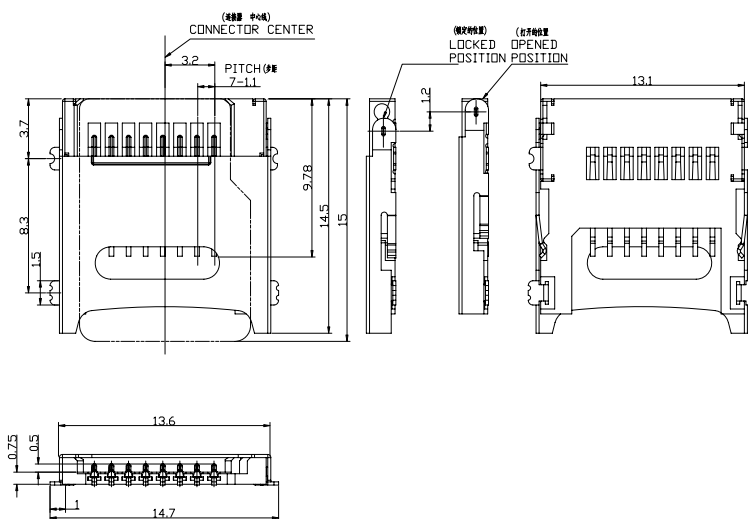
PC Board Layout

### CXTF-HG3

Size	Pitch	Pin
W13.4*L14.5*H1.95	1.1	8



7

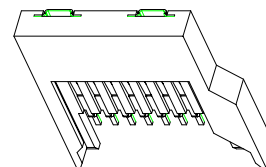


- BOARD PAD
- CONNECTOR TAIL MOUNT
- 1 — DAT2
- 2 — CMD/DAT3
- 3 — CMD
- 4 — VDD
- 5 — CLK
- 6 — VSS
- 7 — DAT0
- 8 — DAT1

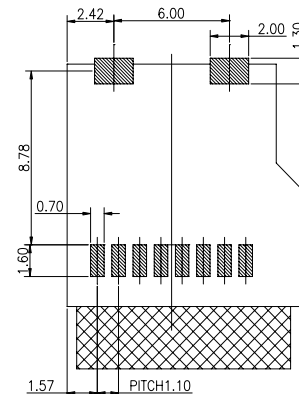
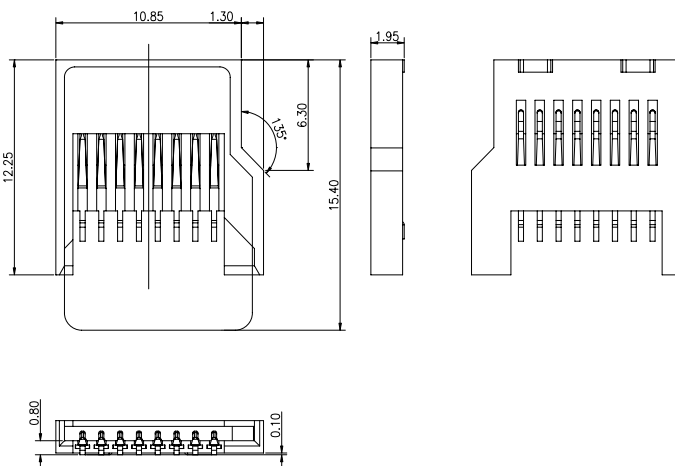
PC Board Layout

### CXTF-PD0

Size	Pitch	Pin
W12.15*L12.25*H1.95	1.1	8



8



PC Board Layout