

LT8819 --- Product Brief

MHL/HDMI-BT656 Converter

Features

- Support both HDMI and MHL input, enables multi-input converter device.
- Supports function of RCP.
- On-chip HDMI receiver with Equalizer, supports 300M of HDMI clock
- On chip receiver core which is compliant with HDMI1.4 specification.
- On-chip MHL receiver with Equalizer, supports 25MHZ to 75MHZ of MHL clock, and 3Gbps data rate.
- On chip receiver core which is compliant with MHL 2.0 specification.
- On chip transmitter core which is compliant with HDMI1.4 specification.
- On chip 3 10-bit DACs, support separated SYNC mode and SOG mode.
- On chip HDCP engine which is compliant with HDCP1.4 spec.
- Supports both 24-Bit Mode and packet mode with MHL input.
- supports IIS-7.1-channel and SPDIF output alternatively or both.
- Supports CEC while using an external MCU.

Description

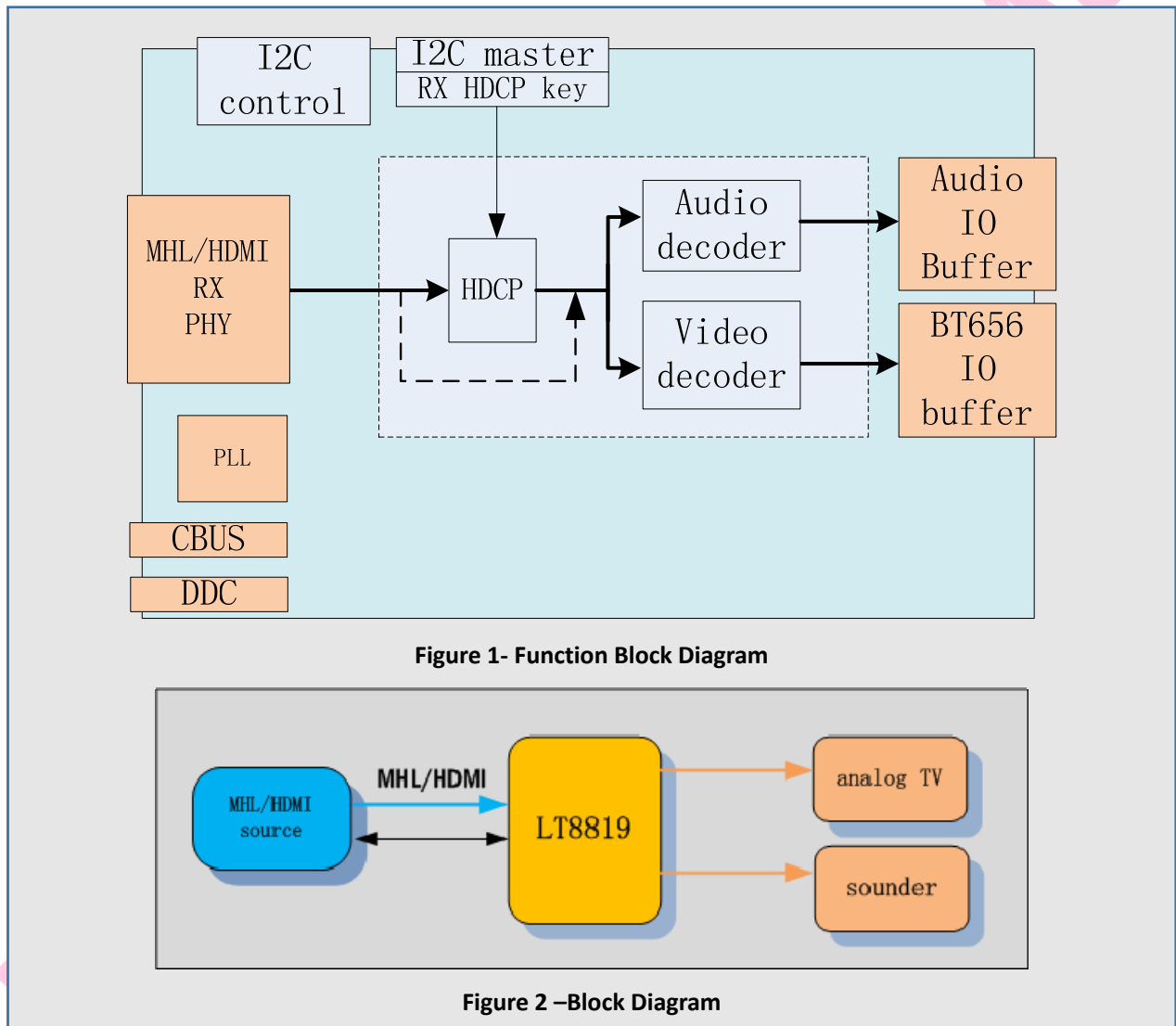
The LT8819 is a MHL/HDMI to BT656 converter, converts Mobile High-definition Link (MHL) or High Definition Multimedia Interface (HDMI) data stream BT656 signals. It also outputs 4-channel IIS and SPDIF signals which enables high quality 7.1 channel audio.

Standard MHL technology carries formatted video, audio and control stream with only 3 signal lines and a pair of power and ground. Standard HDMI uses 19 lines implement data transmission. The LT8819 uses the latest ClearedEdge[®] Technology implement the conversion of MHL and HDMI source devices, such as mobile phone, adapter, etc, to BT656 devices.

Application

Car Entertainment Mobile Receiver Devices
Etc.

Block Diagram



Ordering Information

Part Number	Operating Temperature Range	Package	Packing Method
LT8819	-40° C to +85° C	QFN64L	Tape and Reel

Lontium Semiconductor Proprietary & Confidential

This document and the information it contains belong to Lontium Semiconductor. Any review, use, dissemination, distribution or copying of this document or its information outside the scope of a signed agreement with Lontium is strictly prohibited.

LONTIUM DISCLAIMS ALL WARRANTIES, EXPRESSED OR IMPLIED, INCLUDING THOSE OF NONINFRINGEMENT, MERCHANTABILITY, TITLE AND FITNESS FOR A PARTICULAR PURPOSE. CUSTOMERS EXPRESSLY ASSUME THEIR OWN RISK IN RELYING ON THIS DOCUMENT. LONTIUM PRODUCTS ARE NOT DESIGNED OR INTENDED FOR USE IN LIFE SUPPORT APPLIANCES, DEVICES OR SYSTEMS WHERE A MALFUNCTION OF A LONTIUM DEVICE COULD RESULT IN A PERSONAL INJURY OR LOSS OF LIFE.

Lontium assumes no responsibility for any errors in this document, and makes no commitment to update the information contained herein. Lontium reserves the right to change or discontinue this document and the products it describes at any time, without notice. Other than as set forth in a separate, signed, written agreement, Lontium grants the user of this document no right, title or interest in the document, the information it contains or the intellectual property it embodies.

Trademarks

Lontium™ and ClearedEdge™ is a registered trademark of Lontium Semiconductor. All Other brand names, product names, trademarks, and registered trademarks contained herein are the property of their respective owners.

Visit our corporate web page at: www.lontiumsemi.com

Technical support: support@lontium.com

Sales: sales@lontium.com