

LT8619 --- Product Brief

HDMI/MHL Dual-mode Receiver

Features

- Direct interface to HDMI V1.4 receiver
- Support MHL V2.0 on the same pins with HDMI
- Multiple pixel formats: RGB 6/8/10/12 bit per component (bpc); YCbCr 422/444 8/10/12 bpc
- High input sensitivity, with differential input level down to 80mV
- Receiver side equalization up to 12 dB
- Auto Loss of Signal detection
- High jitter tolerance up to 0.6UI
- HDCP decryption
- On-chip EDID
- Support resolution up to 4Kx2K@30Hz
- RGB888/RGB666/RGB565 output
- Fully programmable zoom ratios
- Independent horizontal/vertical scaling
- Color space conversion
- Integrated microcontroller for system level management
- Support ISP/UART programming debug interface
- External IIC and SPI interface
- Support I2S/SPDIF audio output
- Extensive power management for power savings
- Support total 10 GPIOs
- Integrated nor-flash(option)

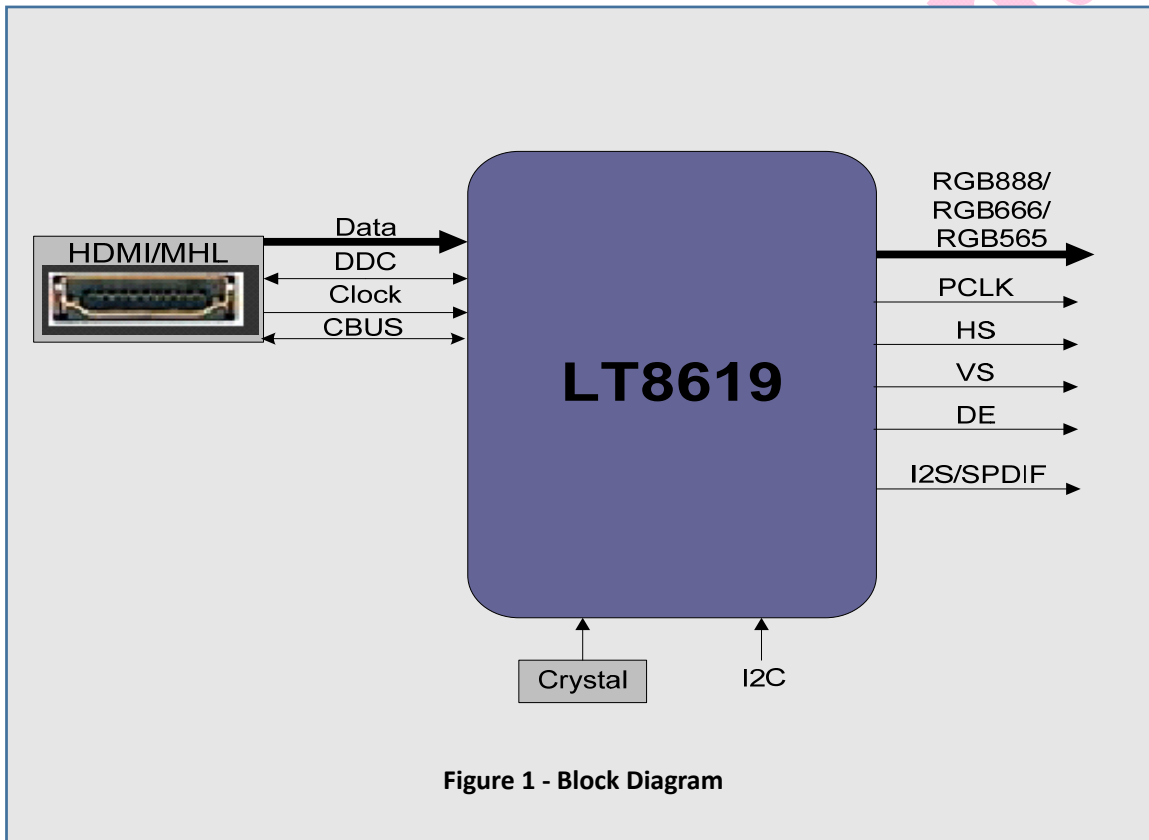
Description

The LT8619 is Lontium's high performance HDMI/MHL dual-mode receiver chip based on ClearEdge™ technology, compliant with the HDMI 1.4(High Definition Multimedia Interface) specification and MHL 2.0(Mobile High-definition Link) specification. The RGB output ports can support RGB888/RGB666/RGB565 format and the output resolution can support up to 4Kx2K resolution. With programmable scalar, LT8619 can do scaling up and down within 1080P 60Hz resolution. LT8619 integrates MCU and it has 10 GPIOs. For easy implement of a multi-media system, LT8619 supports 8-channel high quality I2S audio or SPDIF audio output. It integrates 4M bits nor-flash inside (option), and also you can use external nor-flash by SPI interface for compatibility.

Application

Car Entertainment TV, Monitor
Pico Projector Smart Projector
Etc.

Block Diagram



Ordering Information

Part Number	Operating Temperature Range	Package	Packing Method
LT8619	-40° C to +85° C	TQFP100	Tape and Reel

Lontium Semiconductor Proprietary & Confidential

This document and the information it contains belong to Lontium Semiconductor. Any review, use, dissemination, distribution or copying of this document or its information outside the scope of a signed agreement with Lontium is strictly prohibited.

LONTIUM DISCLAIMS ALL WARRANTIES, EXPRESSED OR IMPLIED, INCLUDING THOSE OF NONINFRINGEMENT, MERCHANTABILITY, TITLE AND FITNESS FOR A PARTICULAR PURPOSE. CUSTOMERS EXPRESSLY ASSUME THEIR OWN RISK IN RELYING ON THIS DOCUMENT. LONTIUM PRODUCTS ARE NOT DESIGNED OR INTENDED FOR USE IN LIFE SUPPORT APPLIANCES, DEVICES OR SYSTEMS WHERE A MALFUNCTION OF A LONTIUM DEVICE COULD RESULT IN A PERSONAL INJURY OR LOSS OF LIFE.

Lontium assumes no responsibility for any errors in this document, and makes no commitment to update the information contained herein. Lontium reserves the right to change or discontinue this document and the products it describes at any time, without notice. Other than as set forth in a separate, signed, written agreement, Lontium grants the user of this document no right, title or interest in the document, the information it contains or the intellectual property it embodies.

Trademarks

Lontium™ and ClearedEdge™ is a registered trademark of Lontium Semiconductor. All Other brand names, product names, trademarks, and registered trademarks contained herein are the property of their respective owners.

Visit our corporate web page at: www.lontiumsemi.com

Technical support: support@lontium.com

Sales: sales@lontium.com