

# LT8612SX --- Product Brief

## MHL/HDMI-HDMI&VGA/YPbPr Converter

### Features

- Compliant with HDMI1.4 , MHL2.0 and HDCP1.4
- HDMI input resolution up to 4Kx2K@30Hz
- MHL input resolution up to 1080P@60Hz
- Supports both 24-Bit Mode and PackedPixel mode with MHL input
- HDMI output resolution up to 4Kx2K@30Hz
- VGA output throughput up to 300MSPS
- YPbPr output resolution up to 1080P@60Hz
- Audio output support 8 channel IIS audio outputs or both 6 channel IIS and SPDIF
- Supports RCP
- Supports 3D format
- Supports CEC

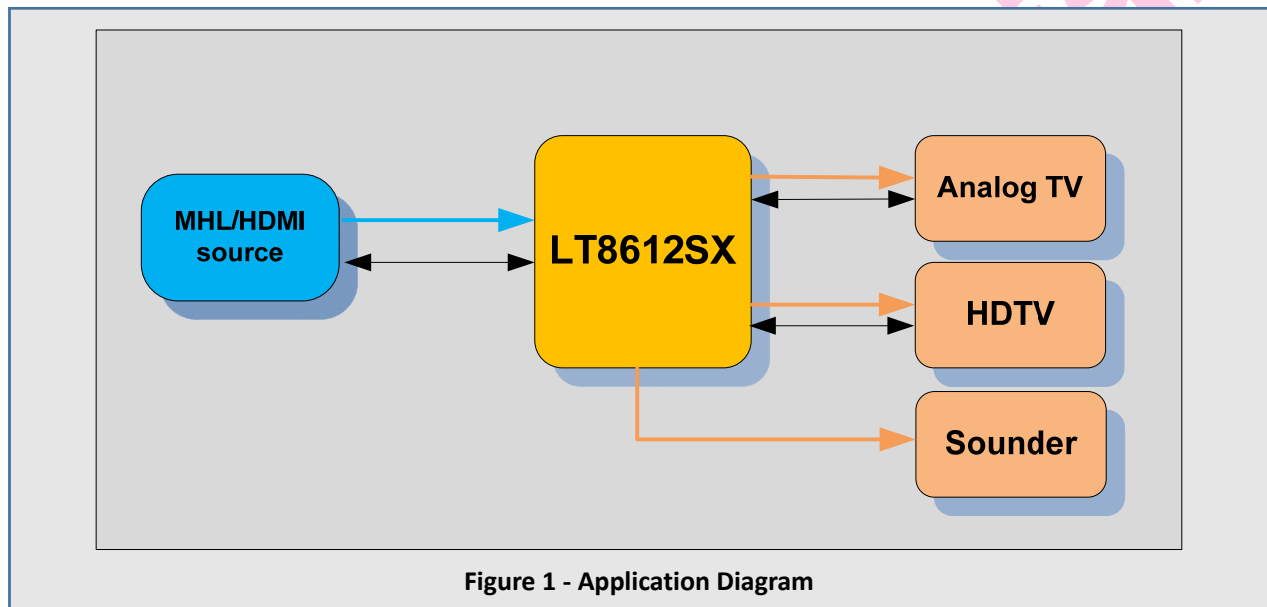
### Description

The LT8612SX is a hybrid MHL/HDMI to HDMI&VGA/YPbPr converter, which converts Mobile High-definition Link (MHL) or High Definition Multimedia Interface (HDMI) data stream to standard High Definition Multimedia Interface (HDMI) signal and analog RGB/YUV signals. It also outputs 8 channel IIS and SPDIF signals which enable high quality 7.1 channel audio.

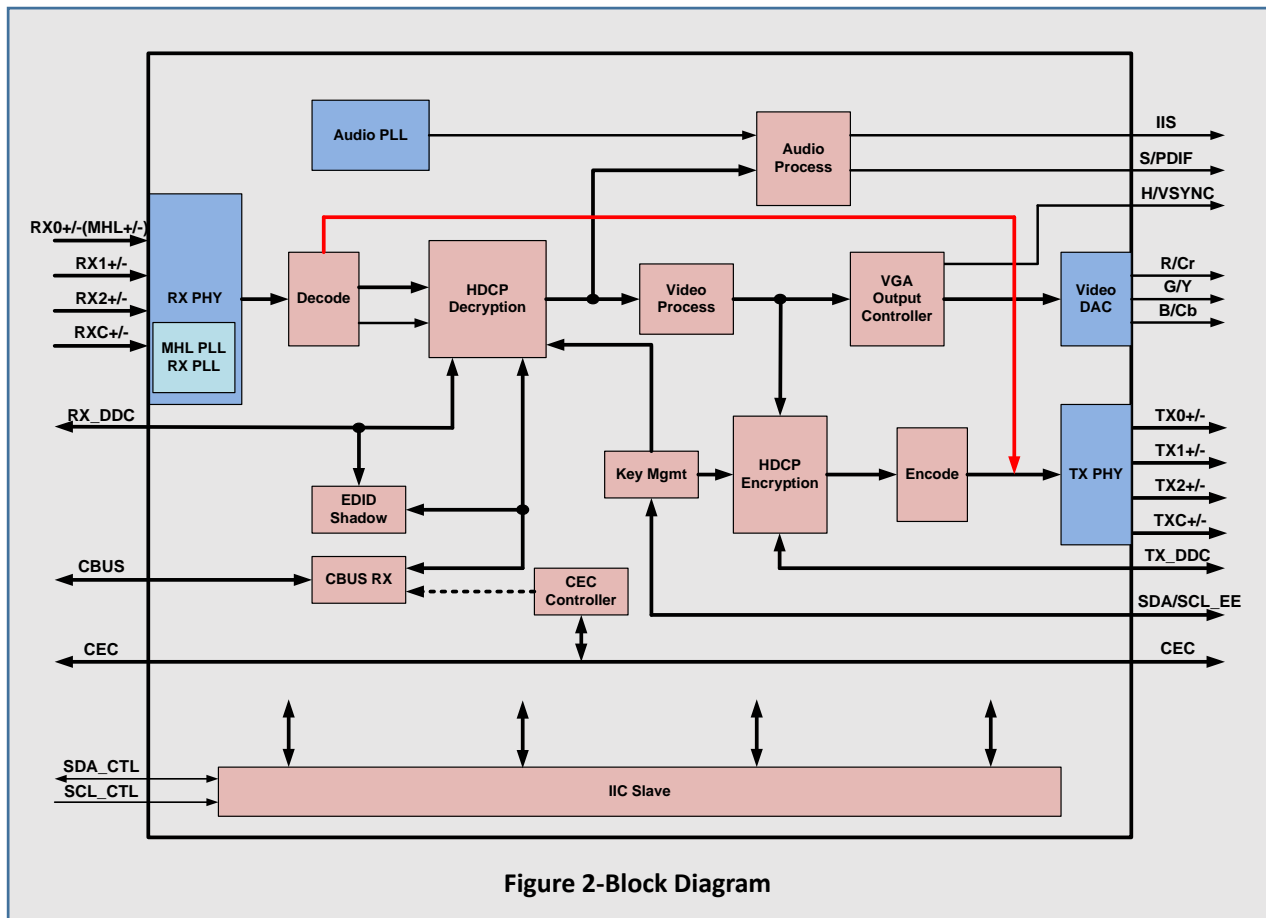
Standard MHL technology carries formatted video, audio and control stream with only 3 signal lines and a pair of power and ground. Standard HDMI uses 19 lines to implement data transmission. The LT8612SX uses the latest ClearedEdge™ Technology to implement the conversion of MHL and HDMI source devices, such as mobile phone, adapter, etc, to HDMI devices. Also it can output analog RGB signal with or without separate SYNC signals, or YPbPr.

## Application

Digital Signage  
PC, Laptop Mother Boards  
HDMI/MHL to VGA/YPbPr Dongle  
Car Entertainment System  
MHL Mobile Battery



## Block Diagram



## Ordering Information

Part Number	Operating Temperature Range	Package	Packing Method
LT8612SX	-40° C to +85° C	12mm x 12mm LQFP80	Tape and Reel

## **Lontium Semiconductor Proprietary & Confidential**

This document and the information it contains belong to Lontium Semiconductor. Any review, use, dissemination, distribution or copying of this document or its information outside the scope of a signed agreement with Lontium is strictly prohibited.

LONTIUM DISCLAIMS ALL WARRANTIES, EXPRESSED OR IMPLIED, INCLUDING THOSE OF NONINFRINGEMENT, MERCHANTABILITY, TITLE AND FITNESS FOR A PARTICULAR PURPOSE. CUSTOMERS EXPRESSLY ASSUME THEIR OWN RISK IN RELYING ON THIS DOCUMENT. LONTIUM PRODUCTS ARE NOT DESIGNED OR INTENDED FOR USE IN LIFE SUPPORT APPLIANCES, DEVICES OR SYSTEMS WHERE A MALFUNCTION OF A LONTIUM DEVICE COULD RESULT IN A PERSONAL INJURY OR LOSS OF LIFE.

Lontium assumes no responsibility for any errors in this document, and makes no commitment to update the information contained herein. Lontium reserves the right to change or discontinue this document and the products it describes at any time, without notice. Other than as set forth in a separate, signed, written agreement, Lontium grants the user of this document no right, title or interest in the document, the information it contains or the intellectual property it embodies.

### **Trademarks**

Lontium™ and ClearedEdge™ is a registered trademark of Lontium Semiconductor. All Other brand names, product names, trademarks, and registered trademarks contained herein are the property of their respective owners.

Visit our corporate web page at: [www.lontiumsemi.com](http://www.lontiumsemi.com)

Technical support: [support@lontium.com](mailto:support@lontium.com)

Sales: [sales@lontium.com](mailto:sales@lontium.com)