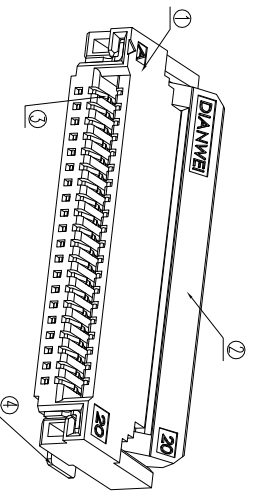
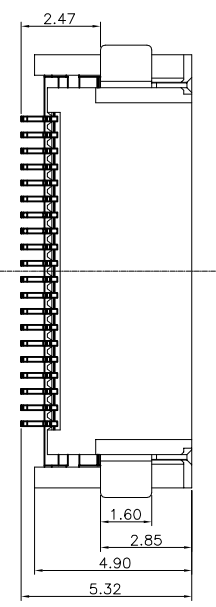
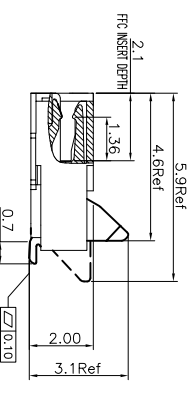
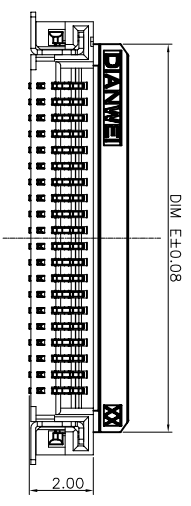
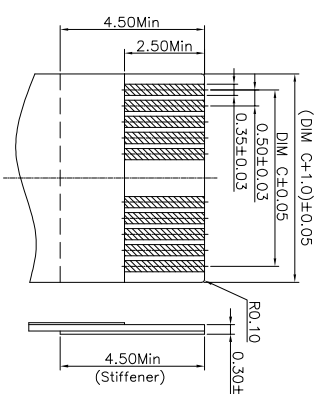
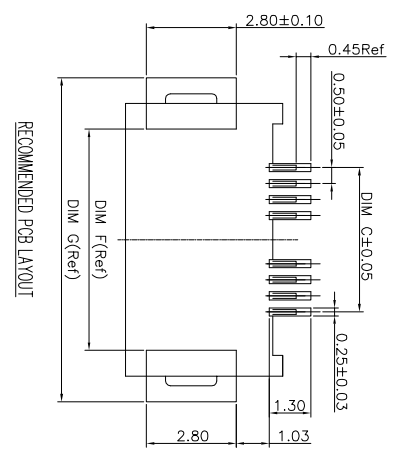
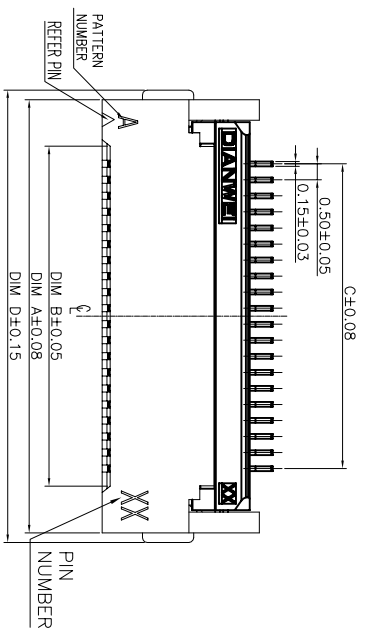


DRAWING TYPE CUSTOMER DRAWING



MARK	DATE	DESCRIPTION	DESIGN
H	2016.04.16	ADD PERFORMANCE	WANGPENG
J	2016.06.18	ADD 41PIN	WANGPENG
K	2017.06.08	Change Plating Note	CHEN

Pin No.	P/N	DIM A	DIM B	DIM C	DIM D	DIM E	DIM F	DIM G
4	8.01A0.004200	5.50	2.55	1.50	6.10	4.10	3.90	7.10
5	8.01A0.005200	6.00	3.05	2.00	6.60	4.60	4.40	7.60
6	8.01A0.006200	6.50	3.55	2.50	7.10	5.10	4.90	8.10
8	8.01A0.008200	7.50	4.55	3.50	8.10	6.10	5.90	9.10
9	8.01A0.009200	8.00	5.05	4.00	8.60	6.60	6.40	9.60
10	8.01A0.010200	8.50	5.55	4.50	9.10	7.10	6.90	10.10
12	8.01A0.012200	9.50	6.55	5.50	10.10	8.10	7.90	11.10
14	8.01A0.014200	10.50	7.55	6.50	11.10	9.10	8.90	12.10
15	8.01A0.015200	11.00	8.05	7.00	11.60	9.60	9.40	12.60
16	8.01A0.016200	11.50	8.55	7.50	12.10	10.10	9.90	13.10
18	8.01A0.018200	12.50	9.55	8.50	13.10	11.10	10.90	14.10
20	8.01A0.020200	13.50	10.55	9.50	14.10	12.10	11.90	15.10
22	8.01A0.022200	14.50	11.55	10.50	15.10	13.10	12.90	16.10
24	8.01A0.024200	15.50	12.55	11.50	16.10	14.10	13.90	17.10
26	8.01A0.026200	16.50	13.55	12.50	17.10	15.10	14.90	18.10
28	8.01A0.028200	17.50	14.55	13.50	18.10	16.10	15.90	19.10
30	8.01A0.030200	18.50	15.55	14.50	19.10	17.10	16.90	20.10
32	8.01A0.032200	19.50	16.55	15.50	20.10	18.10	17.90	21.10
34	8.01A0.034200	20.50	17.55	16.50	21.10	19.10	18.90	22.10
35	8.01A0.035200	21.00	18.05	17.00	21.60	19.60	19.40	22.60
36	8.01A0.036200	21.50	18.55	17.50	22.10	20.10	19.90	23.10
38	8.01A0.038200	22.50	19.55	18.50	23.10	21.10	20.90	24.10
40	8.01A0.040200	23.50	20.55	19.50	24.10	22.10	21.90	25.10
42	8.01A0.04200	24.50	21.55	20.50	25.10	23.10	22.90	26.10
44	8.01A0.044200	25.50	22.55	21.50	26.10	24.10	23.90	27.10
45	8.01A0.045200	26.00	23.05	22.00	26.60	24.60	24.40	27.60
50	8.01A0.050200	28.50	25.55	24.50	29.10	27.10	26.90	30.10
51	8.01A0.051200	29.00	26.05	25.00	29.60	27.60	27.40	30.60
52	8.01A0.052200	29.50	26.55	25.50	30.10	28.10	27.90	31.10
54	8.01A0.054200	30.50	27.55	26.50	31.10	29.10	28.90	32.10
55	8.01A0.055200	31.00	28.05	27.00	31.60	29.60	29.40	32.60
58	8.01A0.058200	32.50	29.55	28.50	33.10	31.10	30.90	34.10
60	8.01A0.060200	33.50	30.55	29.50	34.10	32.10	31.90	35.10

1. FPC NOT MATING CONDITION BANNED CLOSURE  
2. PART NO. LEGEND:  
8.01A0.\*\*\* 2 0 0  
① ② ③ ④ ⑤

- ① SERIES NAME: 8.01A0 = 0.5MM FFC/FPC DUAL CONTACT SIDE CONNECTOR (H=2.0mm)
- ② CONTACT PIN NUMBER\*\*\*=CONTACT PIN NUMBER
- ③ CONTACT AREA PLATING SPEC: GOLD PLATING; 2=1~3u", 3=5u", 4=10u", 5=15u"
- ④ CONTACT AREA PLATING SPEC: GOLD PLATING; 2=1~3u", 3=5u", 4=10u", 5=15u"
- ⑤ UNSPECIFIED=NONSENSE

- 3. PERFORMANCE:
- 3.1: CURRENT RATING: 0.5A/PIN.
- 3.2: VOLTAGE RATING: 50V (AC/DC).
- 3.3: CONTACT RESISTANCE: INITIAL VALUE 30mOHM Max.
- 3.4: INSULATION RESISTANCE: 500MOHM Min.
- 3.5: DIELECTRIC WITHSTANDING VOLTAGE: 250V AC FOR 1MINUTE.
- 3.6: DURABILITY: 20 TIMES Min.
- 3.7: OPERATING TEMPERATURE: -40°C ~ +85°C
- OPERATING HUMIDITY RANGE: 20% TO 85%

NO.	COMPONENTS	MATERIALS	FINISH/COLOR SPECIFICATION	QUANTITY
4	STATOR	BRASS		2
3	TERMINAL	PHOSPHOR BRONZE		
2	COVER	THERMOPLASTIC U94V-0	BLACK	1
1	HOUSING	THERMOPLASTIC U94V-0	NATURAL	1

**DIANWEI** 东莞市钿威电子科技有限公司  
DONGGUAN DIANWEI ELECTRONIC TECHNOLOGY CO., LTD  
Tel: +86-769-8788 8322 Fax: +86-769-8788 8321 E-mail: dianwei@188.com Http://www.dianwei.cn

UNLESS OTHERWISE SPECIFIED TOLERANCE			
ANG	TOL.	DIM	TOL.
.X	±3.0°	.X	±0.20
.XX	±2.0°	.XX	±0.10
.XXX	±1.0°	.XXX	±0.05

APPROVED	VERIFIED	DRAWING NO	PART NAME:	PART NO.	DATE	UNITS	SCALE	PAGE	REV
		8.01A0-C	0.5mm FFC/FPC DUAL CONTACT SIDE CONNECTOR(H=2.0mm)	8.01A0.***200	2017.06.08	mm	1:1	1/2	K
		DESIGN	WANG PENG						

NOTE: ALL RIGHTS RESERVED, BANNED COPY!