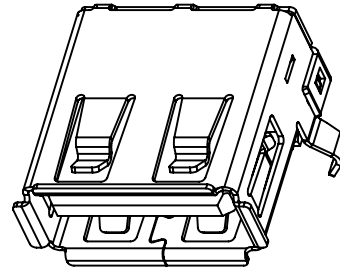
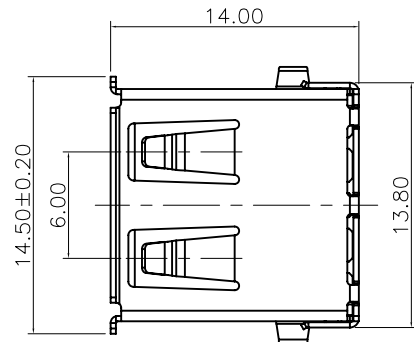


RoHS

Mark	ECN NO.	DESCRIPTION	DESIGN	Date:
A	—	NEW	—	—



NOTE:

1. Material:

Housing: PBT,UL94V-0; Color: White

Contact: C2680 T=0.2±0.03mm

Shell: SPCC T=0.3±0.03mm

2. FINISH:

Contact: Au G/F Plated on Contact Area,

Tin 80U" Plated on Solder Tails,

Nickel 50U" Underplating Over All.

Shell: Nickel 80U" Underplating Over All.

3. Specification:

3.1: Electrical:

Contact Current Rating: 1.5A

Insulation Resistance: 1000MΩ Min.

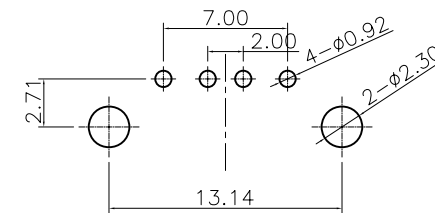
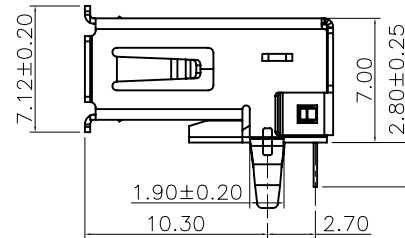
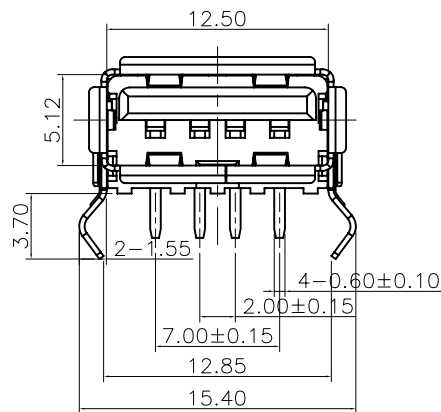
Contact Resistance: 30 mΩ Max.

Dielectric Withstanding Voltage: 500V/AC 1Minute

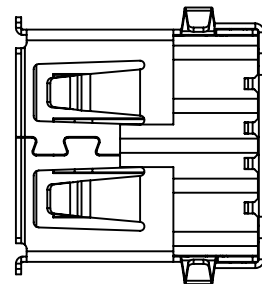
3.2 Mechanical:

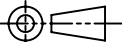
Mating Force: 3.57Kgf Max.

Unmating Force: 1.0Kgf Min.



Recommend P.C.B LAYOUT



Tolerance X.X ±0.30 X.XX ±0.25 X.XXX ±0.15 Angle ±2.0°	Model Name: 单层USB A-TYPE 90度 PBT白胶环保防火 铁壳麻面卷边15.4 无LOGO 针长2.8 简易包装				Drawing: 彭媛平	
	Model No: WLUS-050L				Checked: 姚世宣	
mm	UNIT:	SCALE:	REVISION:	SHEET	Approved: 李建	
	FULL	A	1/1	Date: 2015.12.01		
	 深圳市兴万联电子有限公司 SHENZHEN XINGWANLIAN TECHNOLOGY CO.,LTD				DWG NO.	
					FILE: C	