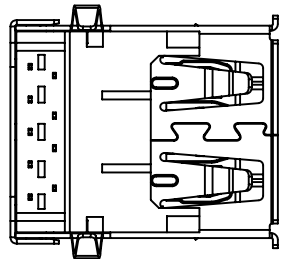
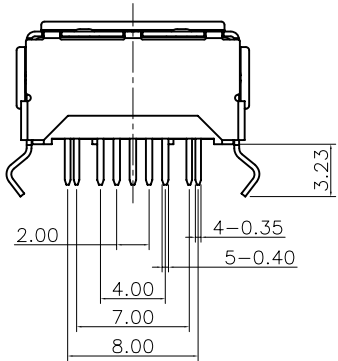
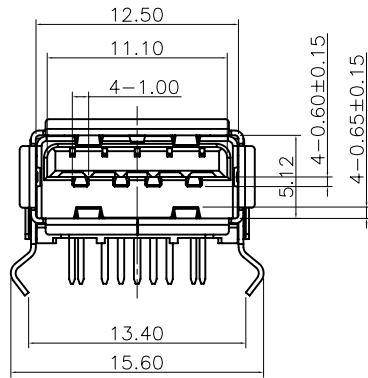
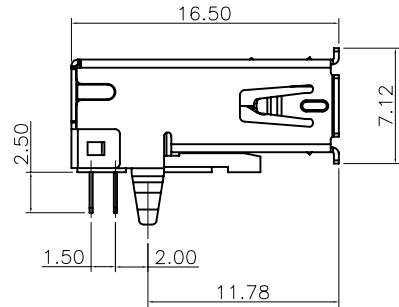
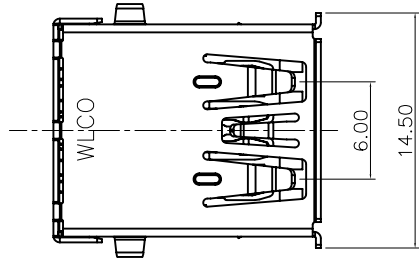
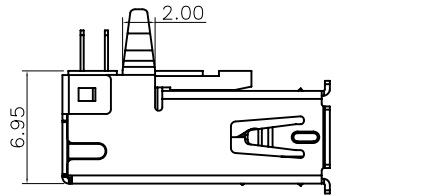


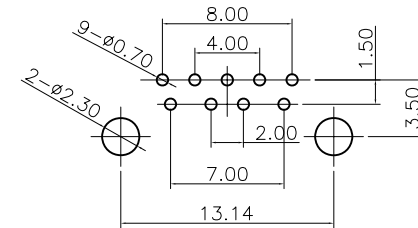
RoHS

Mark	ECN NO.	DESCRIPTION	DESIGN	Date:
A		NEW		



NOTE:

- Material:
Housing: PBT,UL94V-0; Color: Blue
Contact: Copper Alloy
Shell: Copper Alloy
- FINISH:
Contact: Au Plated on Contact Area,
Matte Tin Plated on Solder Tails,
Nickel Underplating Over All.
Shell: Nickel Underplating Over All.
- Specification:
3.1: Electrical:
Contact Current Rating: 1.8A For PIN1&PIN4
0.25A For Others.
Insulation Resistance: 1000MΩ Min.
Contact Resistance: 30 mΩ Max.
Dielectric Withstanding Voltage: 500V/AC 1Minute
3.2 Mechanical:
Mating Force: 3.57Kgf Max.
Unmating Force: 1.0Kgf Min.



PCB LAYOUT

ITEM	PART NAME	Material	Q'TY	REMARK
1	Housing	PBT	1	Blue UL94V-0
2	COVER	PBT	1	Blue UL94V-0
3	Contact	C5191	9	Plating G.F/Tin
4	Shell	COPPER ALLOY	1	Plating Ni

<p>Tolerance</p> <p>X.X ±0.30</p> <p>X.XX ±0.25</p> <p>X.XXX ±0.15</p> <p>Angle ±2.0°</p>	<p>Model Name: 单原USB A-TYPE 3.0 MOLDING结构 PBT蓝胶环保防火 G.F.针长2.5 铜壳WLCO LOGO</p>				<p>Drawing: PYP</p>		
	<p>Model No: WLUS-058E</p>				<p>Checked: YSX</p>		
	UNIT:	SCALE:	REVISION:	SHEET	<p>Approved: Lijian</p>		
	mm	FULL	A	1/1	<p>Date: 2016.01.25</p>		
		<p>WLCO® 深圳市兴万联电子有限公司</p> <p>SHENZHEN XINGWANLIAN TECHNOLOGY CO.,LTD</p>				<p>DWG NO.</p>	
						<p>FILE: C</p>	