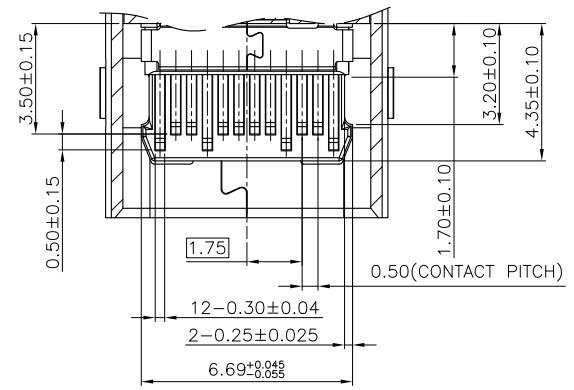
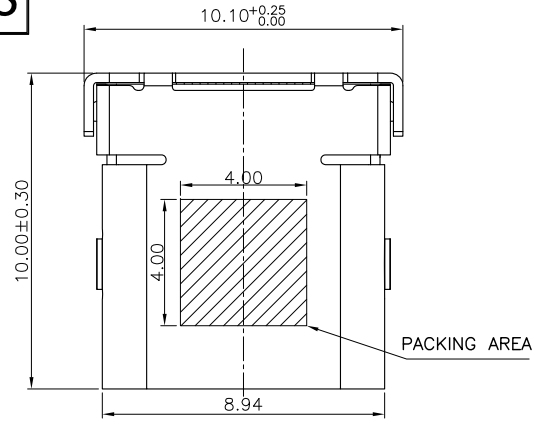


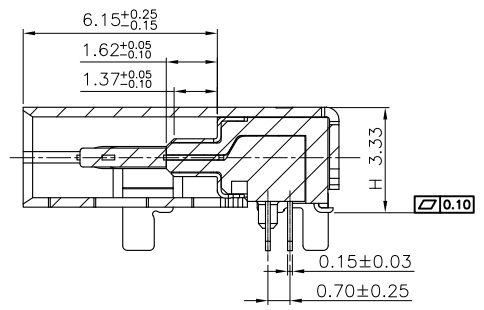
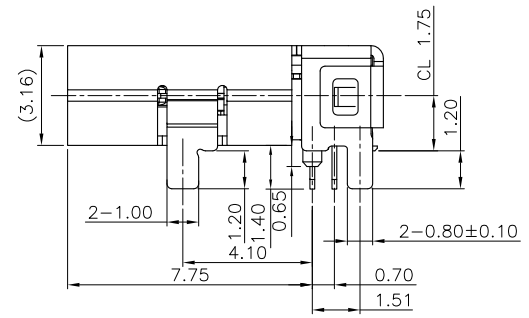
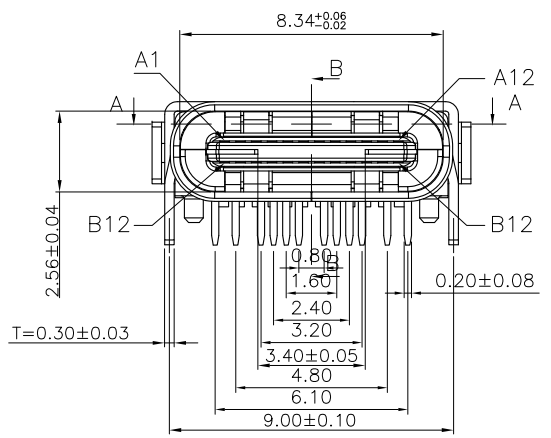
RoHS

Mark	ECH NO.	DESCRIPTION	DESIGN	Date:
A		NEW		

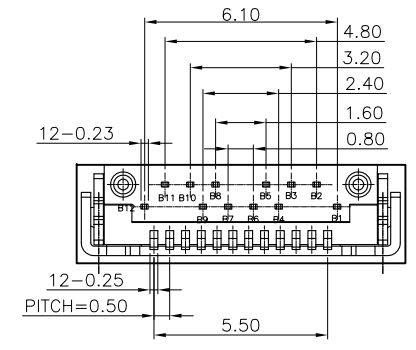


- NOTES:
- MATERIAL:
    - MOLDING: LCP UL94 V-0 COLOR: BLACK
    - CONTACT: NKC286R-EH. T=0.15<sup>±0.03</sup>mm
    - GOLD FLASH ON CONTACT AREA, 100u" Min TIN (LEAD FREE) ON SOLDER AREA, 50u" MIN. NI UNDERPLATED OVER.
    - SHELL: SUS304-H, T=0.30<sup>±0.03</sup>mm
    - 50u" NICKEL PLATING OVER ALL.
    - SHILD: SUS304-H, T=0.12<sup>±0.03</sup>mm
  - MECHANICAL:
    - INSERTION: 5~20N.
    - EXTRACTION: 8~20N.
    - DURABILITY: 10000 CYCLES
  - ELECTRICAL:
    - CURRENT: 5A MIN FOR VBUS; 0.25A MIN FOR OTHER.
    - VOLTAGE: 20 V MAX
    - WITHSTANDING VOLTAGE: 100V AC.
    - CONTACT RESISTANCE: 40mΩ MAX.
    - INSULATION RESISTANCE: 100MΩ MIN.
  - ENVIRONMENTAL:
    - TEMPERATURE RANGE -55°C ~ +85°C

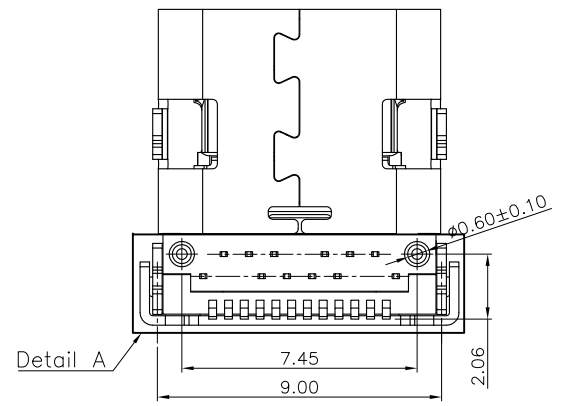
SECTION B-B



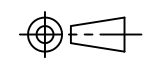
SECTION A-A

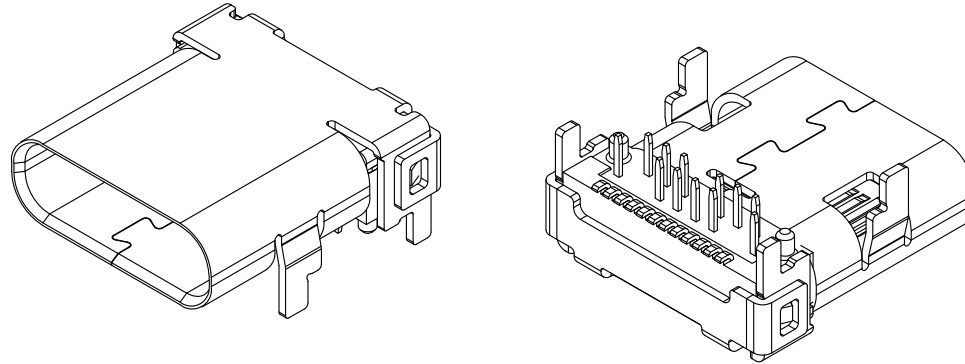


Detail A



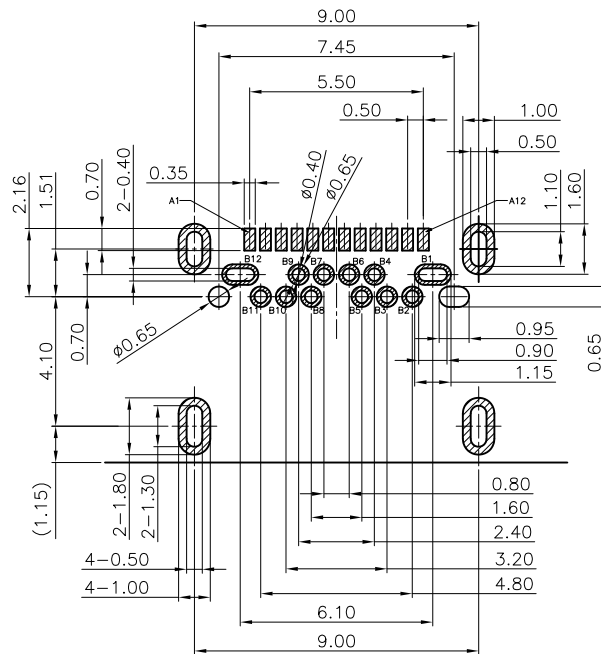
Tolerance	Model Name: USB TYPE C 母座 CL1.75 H3.33mm	Drawing: PYP
X.X ±0.30	Model No: WLUS-239A	Checked: YSX
X.XX ±0.25	UNIT: mm	Approved: Lijian
X.XXX ±0.15	SCALE: FULL	Date: 2016.06.10
Angle ±2.0°	REVISION: A	DWG NO.
	SHEET: 1/2	FILE: C
	WLCO® 深圳市兴万联电子有限公司 SHENZHEN XINGWANLIAN TECHNOLOGY CO, LTD	





USB TYPE-C FULL-FEATURED RECEPTACLE INTERFACE PIN ASSIGNMENTS

PIN	Signal Name	Description	PIN	Signal Name	Description
A1	GND	Ground return	B12	GND	Ground return
A2	SSTXp1	Positive half of first SuperSpeed TX differential pair	B11	SSRXp1	Positive half of first SuperSpeed RX differential pair
A3	SSTXn1	Negative half of first SuperSpeed TX differential pair	B10	SSRXn1	Negative half of first SuperSpeed RX differential pair
A4	VBUS	Bus Power	B9	VBUS	Bus Power
A5	CC1	Configuration Channel	B8	SBU2	Sideband Use (SBU)
A6	Dp1	Positive half of the USB 2.0 differential pair-Position 1	B7	Dn2	Negative half of the USB 2.0 differential pair-Position 2
A7	Dn1	Negative half of the USB 2.0 differential pair-Position 1	B6	Dp2	Positive half of the USB 2.0 differential pair-Position 2
A8	SBU1	Sideband Use (SBU)	B5	CC2	Configuraation Channel
A9	VBUS	Bus Power	B4	VBUS	Bus Power
A10	SSRXn2	Negative half of second SuperSpeed RX differential pair	B3	SSTXn2	Negative half of second SuperSpeed TX differential pair
A11	SSRXp2	Positive half of second SuperSpeed RX differential pair	B2	SSTXp2	Positive half of second SuperSpeed TX differential pair
A12	GND	Ground return	B1	GND	Ground return



RECOMMEND P.C.B LAYOUT (COMPONENT SIDE)

TOLERANCE FOR PCB LAYOUT IS  $\pm 0.05$

KEEP OUT AREA

<b>Tolerance</b> X.X $\pm 0.30$ X.XX $\pm 0.25$ X.XXX $\pm 0.15$ Angle $\pm 2.0^\circ$	<b>Model Name:</b> USB TYPE C 母座 CL1.75 H3.33mm			<b>Drawing:</b> PYP	
	<b>Model No:</b> WLUS-239A			<b>Checked:</b> YSX	
	<b>UNIT:</b> mm	<b>SCALE:</b> FULL	<b>REVISION:</b> A	<b>SHEET</b> 2/2	<b>Approved:</b> Lijian
				<b>Date:</b> 2016.06.10	
	<b>WLCO</b> ® 深圳市兴万联电子有限公司 SHENZHEN XINGWANLIAN TECHNOLOGY CO, LTD			<b>DWG NO.</b>	
				<b>FILE:</b> C	