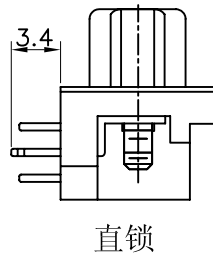
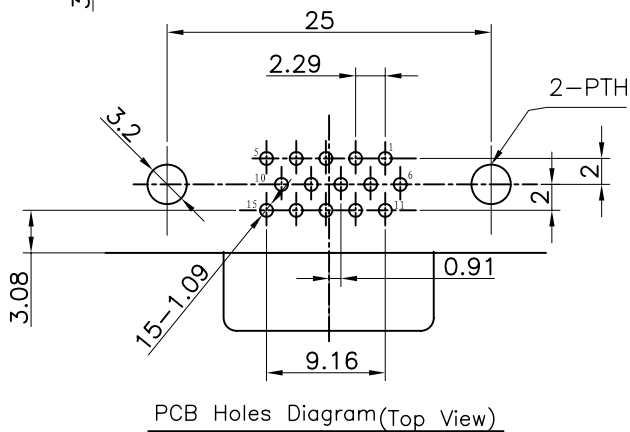
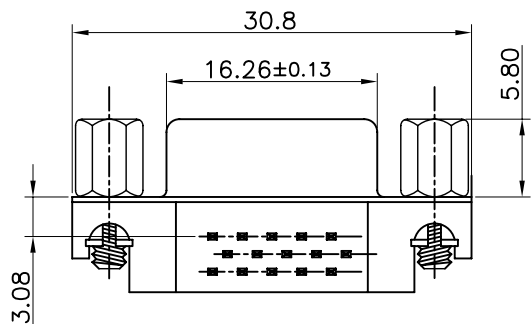
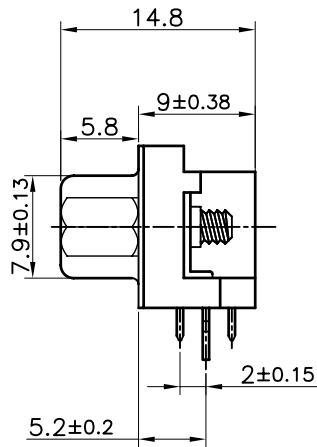
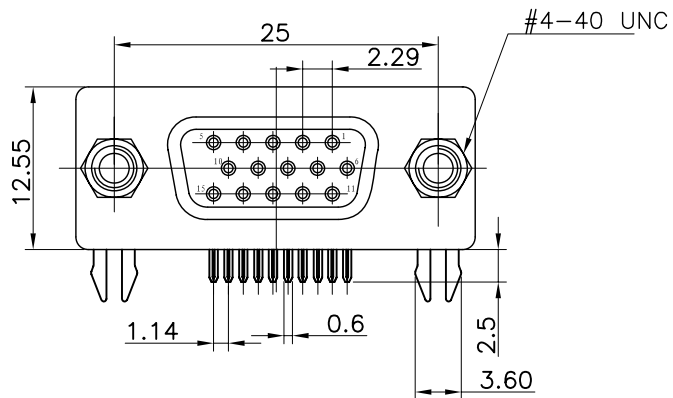


RoHS

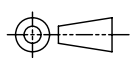
Mark	ECN NO.	DESCRIPTION	DESIGN	Date:



NOTES:

- *HOUSING:PBT+30%G/F UL94V-0 color: Blue
- *CONTACT:BRASS T=0.3
- *SHELL: SPCC T=0.3
- *SCREW:SPCC
- *GROUNDING:SPCC T=0.5
- *.ELECTRIC CHARACTERISTICS:
CONTACT CURRENT RATING: 3.0A MAX.;
CONTACT VOLTAGE RATING:100V DC;
CONTACT RESISTANCE: 30mΩ MAX.;
DIELECTRIC WITHSTANDING VOLTAGE:500V AC/60S;
INSULATION RESISTANCE: 1000 MΩ MIN.AT DC 500V.
- *.MECHANICAL CHARACTERISTICS:
DURABILITY: 5000 CYCLES.
INSERTION AND EXTRACTION FORCE:
INSERTION FORCE: 50N MAX.
EXTRACTION FORCE: 15N MIN.
- *.ENVIRENMENT CHARACTERISTICS:
OPERATING TEMPERATURE.-25℃~+70℃
HUMIDTY:45-85% RH.
CONTACT:UNDER PLATED 50U"MIN Cu.
UNDER PLATED 50U"MIN NICKEL. OVER ALL 80 U"MIN TIN IN SOLDERING AREA OR CONTACT AREA
SHELL: UNDER PLATED 50U" MIN Cu.over All 80U"MIN NICKEL
SCREW: UNDER PLATED 50U"MIN Cu.OVER ALL 80U" MIN NICKEL
GROUNDING:UNDER PLATED 50U"MIN Cu.
UNDER PLATED 50U"MIN NICKEL. OVER ALL 80 U"MIN TIN IN SOLDERING AREA.

Tolerance X.X ±0.25 X.XX ±0.15 X.XXX ±0.10 Angle ±2.0°	Model Name: HDR 15母3.08直锁 蓝胶 5.8螺丝 (半传统全铜) 长2.5 防火 鱼叉长3.4 自动机				Drawing: Lijian
	Model No: WLHD-051A				Checked: Lijian
	UNIT: mm	SCALE: FULL	REVISION: A1	SHEET: 1/1	Approved: WEI JI YANG
	Date: 2011.08.08				
DWG NO.				FILE: C	



WLCO™ 深圳市兴万联电子有限公司
SHENZHEN XINGWANLIAN TECHNOLOGY CO.,LTD