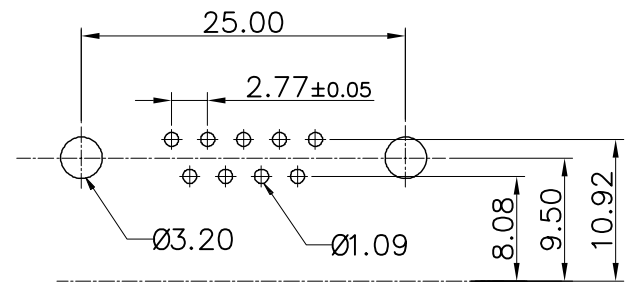
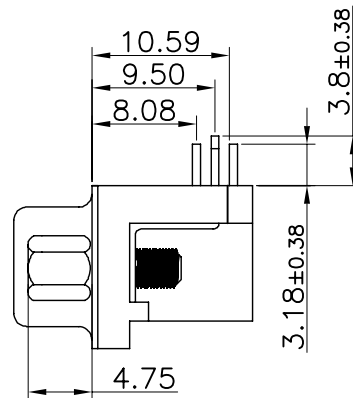
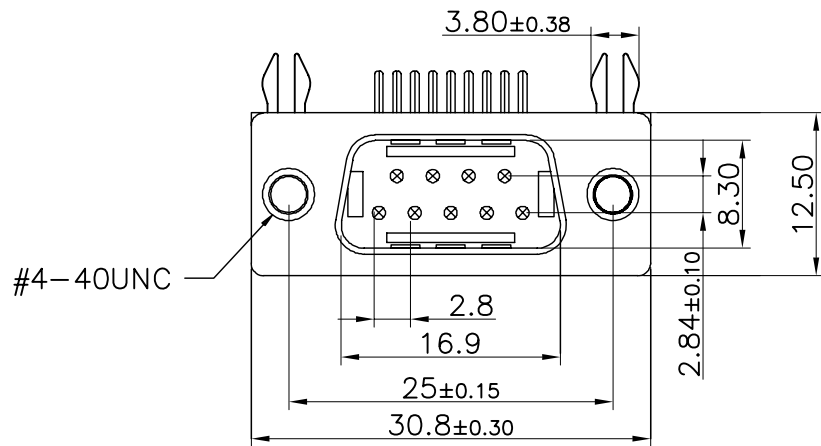
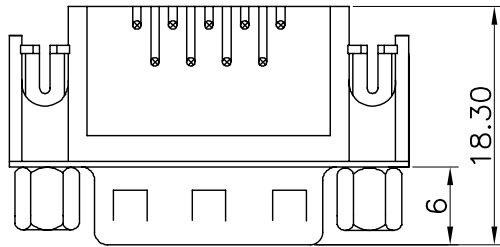
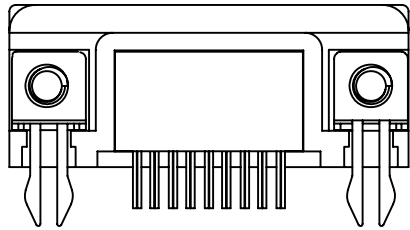


RoHS

|      |         |             |        |       |
|------|---------|-------------|--------|-------|
| Mark | ECN NO. | DESCRIPTION | DESIGN | Date: |
|      |         |             |        |       |



NOTES:  
 \*HOUSING:PBT+30%G/F  
 \*CONTACT:BRASS  
 \*SHELL: SPCC T=0.3  
 \*SHELL PLATING: NICKLE  
 \*.ELECTRIC CHARACTERISTICS:  
 CONTACT CURRENT RATING: 3.0A MAX.;  
 CONTACT VOLTAGE RATING:100V DC;  
 CONTACT RESISTANCE: 30mΩ MAX.;  
 DIELECTRIC WITHSTANDING VOLTAGE:500V AC;  
 INSULATION RESISTANCE: 1000 MΩ MIN.AT DC 500V.  
 \*.MECHANICAL CHARACTERISTICS:  
 DURABILITY: 1000 CYCLES.  
 INSERTION AND EXTRACTION FORCE:  
 INSERTION FORCE: 50N MAX.  
 EXTRACTION FORCE: 15N MIN.  
 \*.ENVIRONMENT CHARACTERISTICS:  
 OPERATING TEMPERATURE.-25℃~+70℃  
 HUMIDITY:45-85% RH.

|             |   |        |           |       |                       |
|-------------|---|--------|-----------|-------|-----------------------|
| Tolerance   | Model Name:DR 9公 直锁 黑胶 (环保)   |        |           |       | Drawing: Lijian       |
| X.X ±0.30   | Model No: WLDR-019A   |        |           |       | Checked: Lijian       |
| X.XX ±0.25  | UNIT:   | SCALE: | REVISION: | SHEET | Approved: WEI JI YANG |
| X.XXX ±0.15 | mm  | FULL   | A1        | 1/1   | Date: 2011.08.08      |
| Angle ±2.0° |  <b>WLCO</b> <sup>TM</sup> 深圳市兴万联电子有限公司<br>SHENZHEN XINGWANLIAN TECHNOLOGY CO.,LTD |        |           |       | DWG NO.               |
|             |   |        |           |       | FILE: C               |