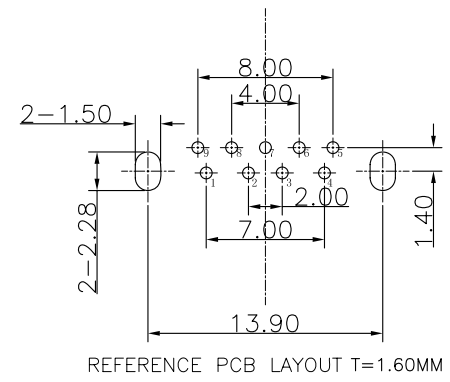
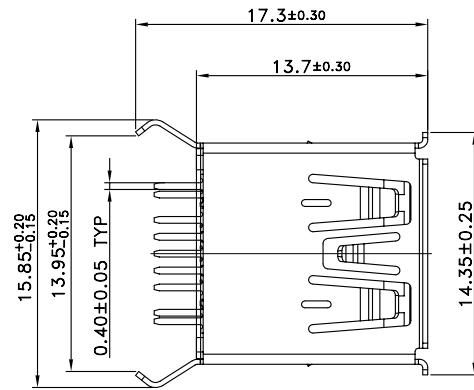


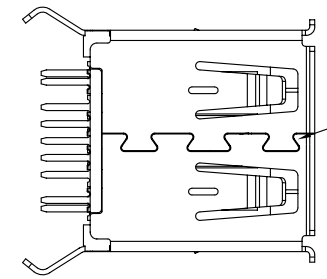
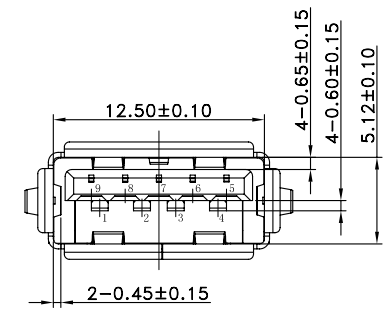
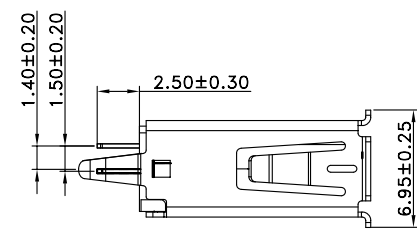
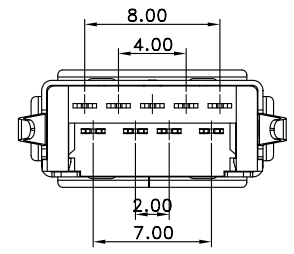
Mark	ECH. NO.	DESCRIPTION	DESIGN	Date:



**SPECIFICATIONS:**  
 Contact current Rating:  
 1.8 Amperes for pin1&pin4.  
 0.25 Amperes other contacts  
 Dielectric Withstanding Voltage:AC 500V(RMS)  
 Insulation resistance:1000Megohms Minimum.  
 Contact Resistance:  
 30mΩ Max for pin1&pin4  
 30mΩ Max for other contacts  
 Mechanical Characteristics:  
 Mating Force:35 Newtons.Maximum  
 Unmating Force:10 Newtons.Minimum.  
 8N Min After Durability

**MATERIAL:**  
 Housing: LCP 94V-0 COLOR:BLUE 300C  
 Contact: COPPER ALLOY T=0.25±0.02 mm  
 Shell: SUS T=0.30±0.02 mm

**PLATING:**  
 Contact: Au G/F Plated on contact area  
 Tin 100U" Plated on solder area  
 Nickel 50U" underplating over all  
 Shell: Cu 50U"/Nickel 50U" Plated



推力测试:要求20N Min推力, 接缝不下凹开裂;

ITEM	PART NAME	Material	Q'TY	REMARK
1	Housing	LCP	1	Blue 300C UL94V-0
2	COVER	LCP	1	Blue 300C UL94V-0
3	4 PIN Contact	COPPER ALLOY	4	Plating G.F/Tin
4	5 PIN Contact	COPPER ALLOY	5	Plating G.F/Tin
5	Shell	SUS	1	Plating Ni

Tolerance X.X ±0.30 X.XX ±0.25 X.XXX ±0.15 Angle ±2.0°	Model Name: 单层USB3.0 A-TYPE 180度 蓝胶 H13.7 外壳卷边弯脚				Drawing: 彭媛平	
	Model No: WLUS-149A				Checked: 姚世宣	
	UNIT:	SCALE:	REVISION:	SHEET	Approved: 李建	
	mm	FULL	A	1/1	Date: 2016.12.01	
深圳市兴万联电子有限公司 SHENZHEN XINGWANLIAN TECHNOLOGY CO.,LTD				DWG NO.		
				FILE: C		