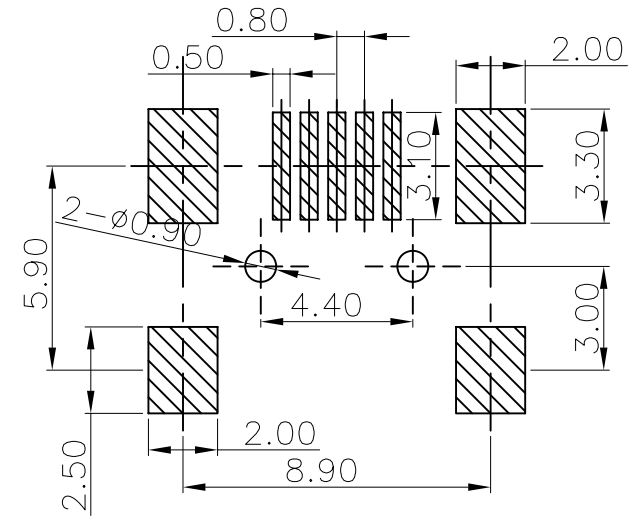
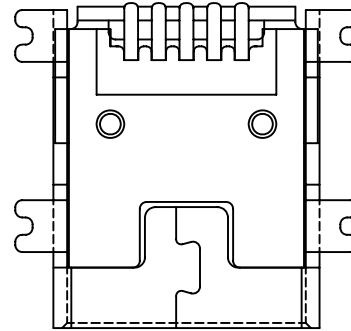
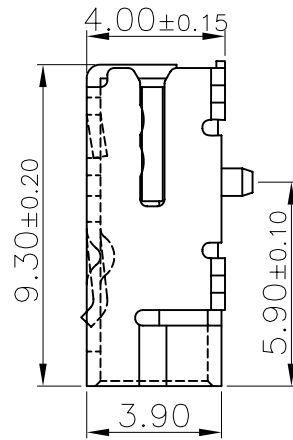
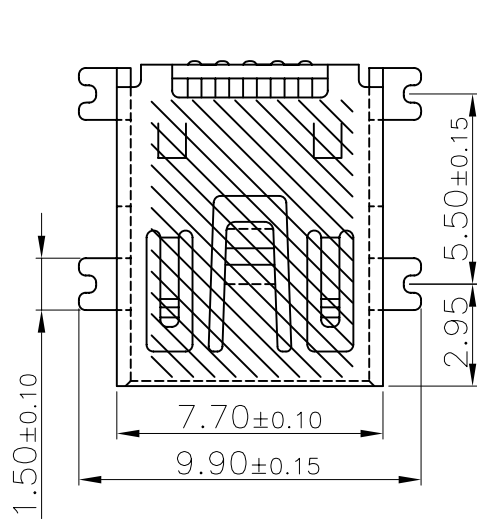
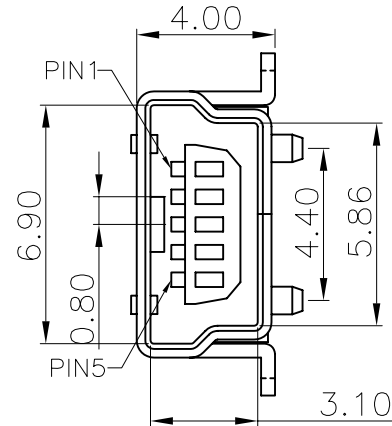


RoHS

| | | | | |
|------|---------|-------------|--------|-------|
| Mark | ECN NO. | DESCRIPTION | DESIGN | Date: |
| A | | New | | |



PC BOARD LAYOUT



Material

- 2.1 Shell:Copper Alloy
Plating:Ni
- 2.2 Contact:Copper Alloy
Plating:Au G/F
- 2.3 Housing:LCP+30% G/F UL94V-0,
Color Black

Housing: Thermoplastics,UL94V-0
 Contact:Copper Alloy
 Shell: Copper Alloy
 Voltage Current Rating:1.5 AMP. 30V AC
 Insulation Resistance:1000MΩ Min.
 Contact Resistance:30 mΩ Max.
 Dielectric Withstanding Voltage:500V AC
 Temperature Range:-55℃ to +85℃

| | | | | | |
|--|---|--------|-----------|-------|-----------------------|
| Tolerance X.X ±0.30 X.XX ±0.25 X.XXX ±0.15 Angle ±2.0° | Model Name:MINI USB 5P SMT型 贴Mylar 载带包装 | | | | Drawing: Lijian |
| | Model No: WLUS-064A | | | | Checked: Lijian |
| | UNIT: | SCALE: | REVISION: | SHEET | Approved: WEI JI YANG |
| | mm | FULL | A | 1/1 | Date: 2012.04.22 |
| | WLCO® 深圳市兴万联电子有限公司 SHENZHEN XINGWANLIAN TECHNOLOGY CO.,LTD | | | | DWG NO. |
| | | | | | FILE: |