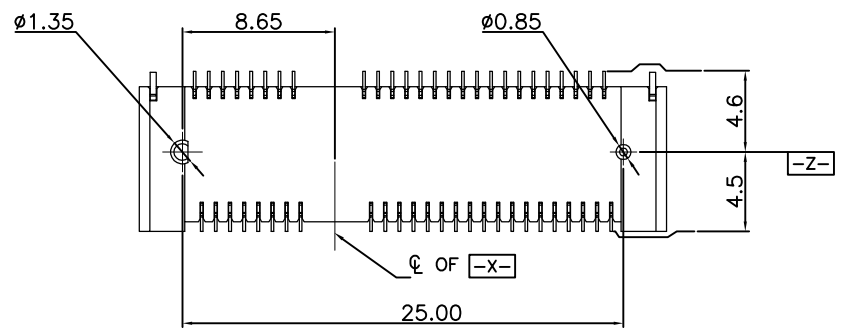
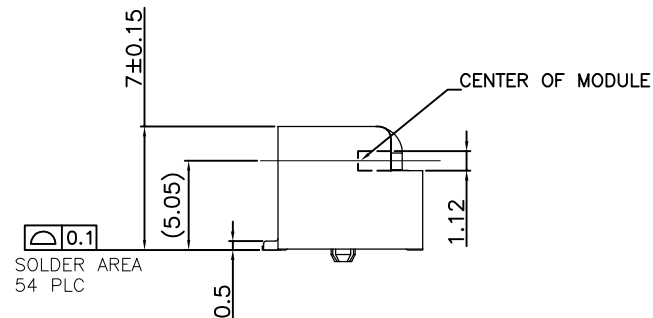
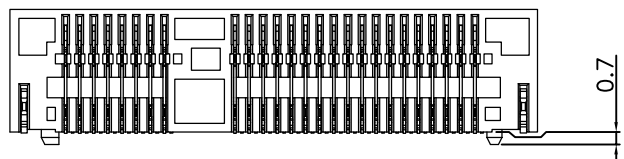
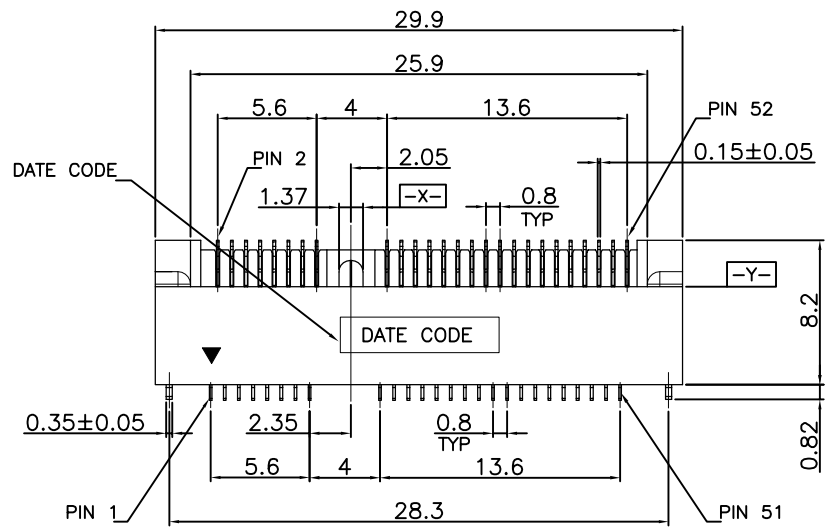
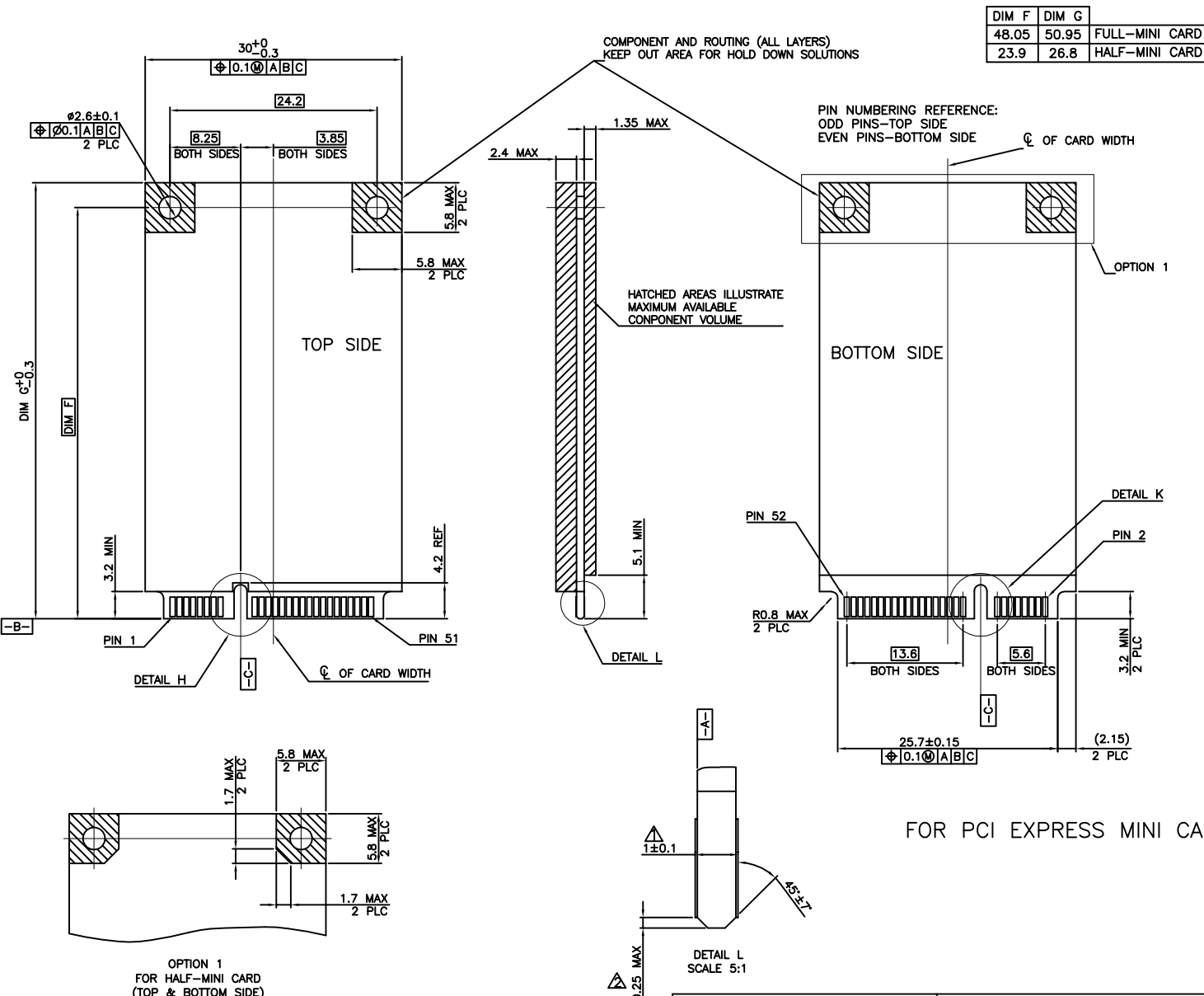


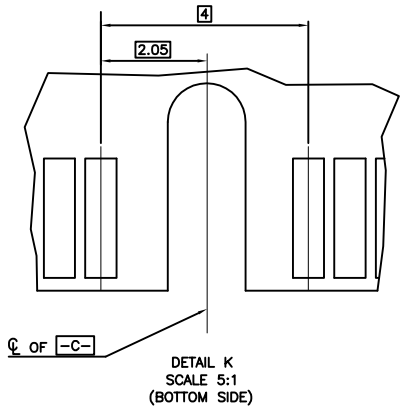
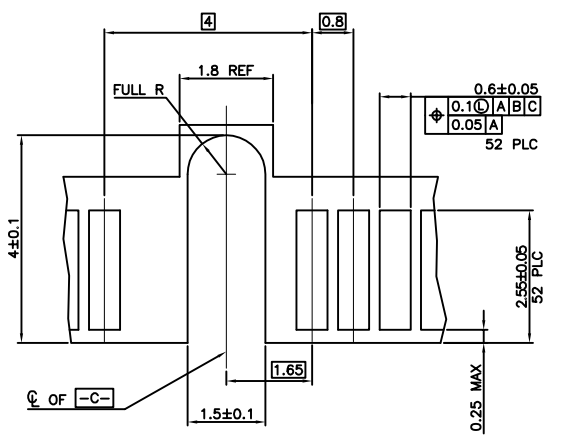
				TOLERANCE		UMax conn 东莞市友贸实业有限公司 DONGGUAN UMAXCONN ENTERPRISE LIMITED		TITLE: MINI PCI EXPRESS 7.0MM HEIGHT			
				LINEAR	ANGLES			PART NO. 91304-70-052RXXX			
				X.±0.40	X'±	APPD: Jason	MAT'L:	DWG NO. C-91304-70			
				.X±0.30	.X'±	CHKD: Schumi	FINISH:	UNITS	SCALE	SHEET	REV
0	----	Lei Songping	Jun,06,2019	.XX±0.20	.XX'±	DRWN: Lei Songping	Q'TY:	MM	1 : 1	1 OF 5	0
REV	ECN NO.	NAME	DATE	.XXX±0.15	.XXX'±			CUSTOMER			



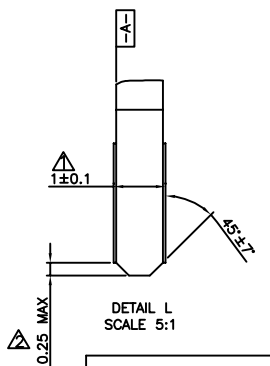
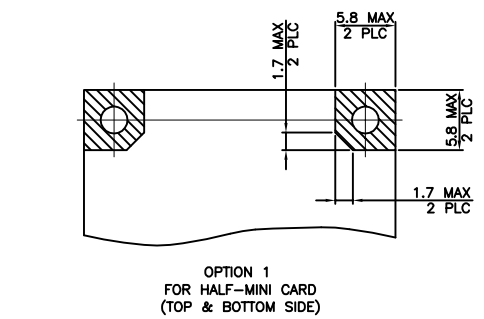
				TOLERANCE		UMax conn 东莞市友贸实业有限公司 DONGGUAN UMAXCONN ENTERPRISE LIMITED		TITLE: MINI PCI EXPRESS 7.0MM HEIGHT			
				LINEAR	ANGLES			PART NO. 91304-70-052RXXX			
				X.±0.40	X'±	APPD: Jason	MAT'L:	DWG NO. C-91304-70			
				.X±0.30	.X'±	CHKD: Schumi	FINISH:	UNITS	SCALE	SHEET	REV
0	----	Lei Songping	Jun,06,2019	.XX±0.20	.XX'±	DRWN: Lei Songping	Q'TY:	MM	1 : 1	1 OF 5	0
REV	ECN NO.	NAME	DATE	.XXX±0.15	.XXX'±						



DIM F	DIM G	
48.05	50.95	FULL-MINI CARD
23.9	26.8	HALF-MINI CARD



- NOTES:
- ▲ CARD THICKNESS APPLIES ACROSS TABS AND INCLUDES PLATING AND/OR METALLIZATION.
 - ▲ EDGE BEVEL MUST BE PRESENT AND FREE OF CUTTING BURRS FROM PCB AND CONTACT MATERIALS.



TOLERANCE	
LINEAR	ANGLES
X.±	X'.±
.X±	.X'±
0	----
.XX±	.XX'±
.XXX±	.XXX'±

UMax conn 东莞市友贸实业有限公司
DONGGUAN UMAXCONN ENTERPRISE LIMITED

APPD: Jason MAT'L:

CHKD: Schumi FINISH:

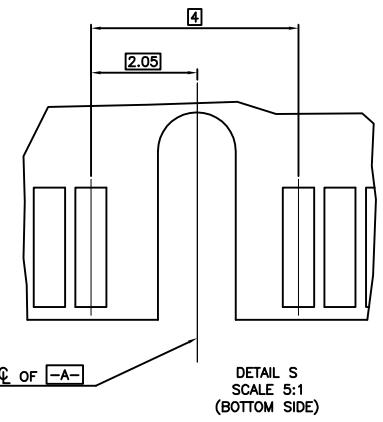
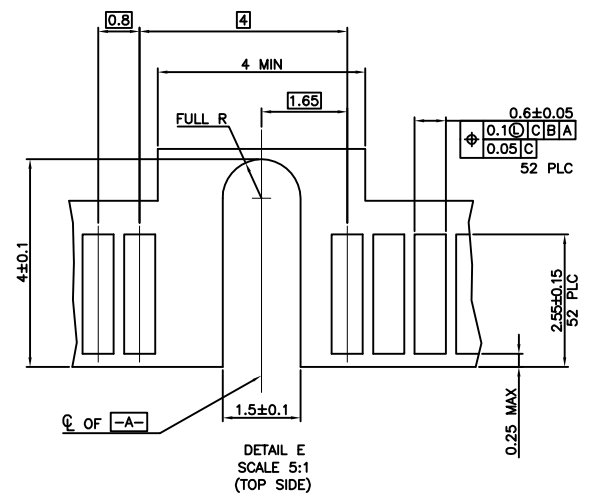
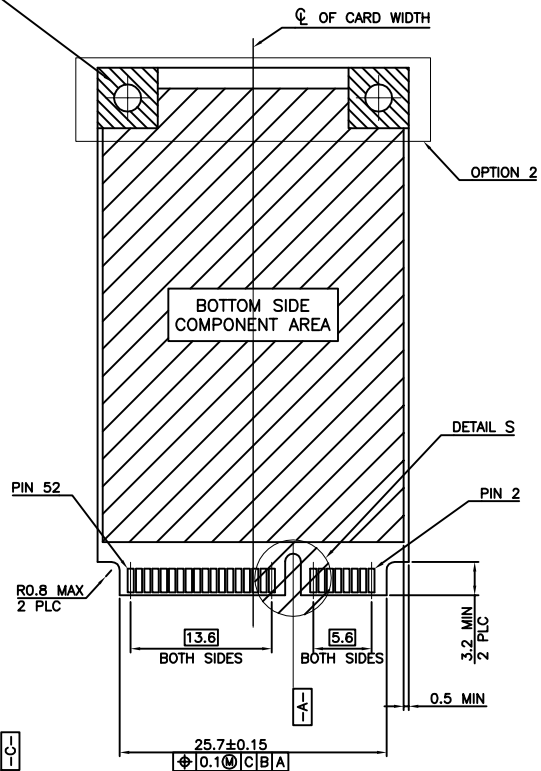
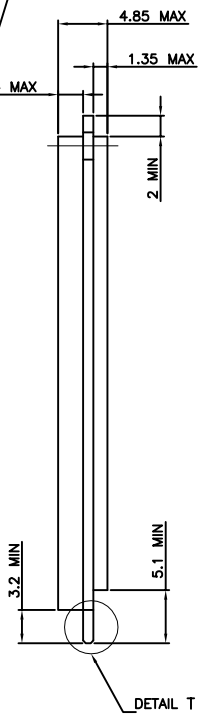
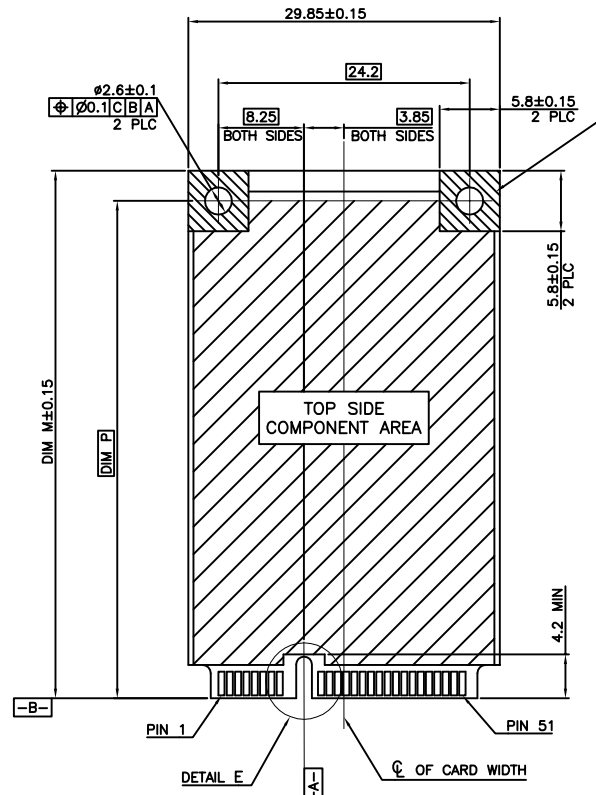
DRWN: Lei Songping Q'TY:

TITLE: MINI PCI EXPRESS 7.0MM HEIGHT			
PART NO. 91304-70-052RXXX			
DWG NO. C-91304-70			
UNITS	SCALE	SHEET	REV
MM	1 : 1	4 OF 5	0

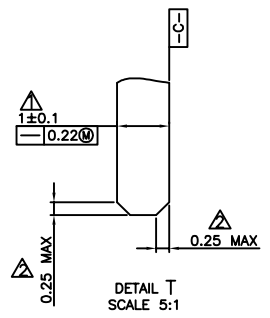
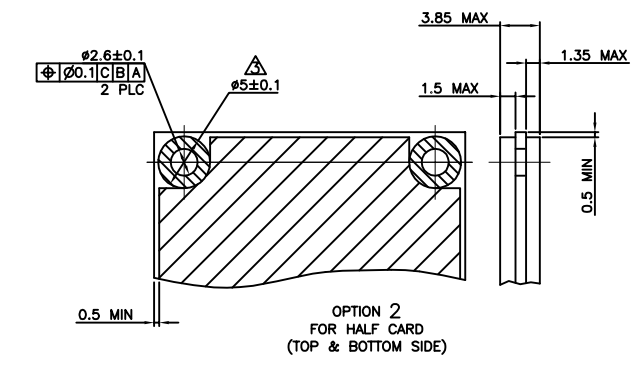
REV	ECN NO.	NAME	DATE
0	----	Lei Songping	Jun,06,2019

COMPONENT AND ROUTING (ALL LAYERS)
KEEP OUT AREA FOR HOLD DOWN SOLUTIONS

DIM P	DIM M	
48.05	50.8	FULL CARD
23.9	26.8	HALF CARD



- NOTES:
- ▲ CARD THICKNESS APPLIES ACROSS TABS AND INCLUDES PLATING AND/OR METALLIZATION.
 - ▲ EDGE BEVEL MUST BE PRESENT AND FREE OF CUTTING BURRS FROM PCB AND CONTACT MATERIALS.
 - ▲ COMPONENT AND ROUTING (TOP/BOTTOM LAYER) KEEP OUT AREA FOR HOLD DOWN SOLUTIONS.



FOR mSATA

TOLERANCE	
LINEAR	ANGLES
X.±	X'±
.X±	.X'±
.XX±	.XX'±
.XXX±	.XXX'±

UMax conn 东莞市友贸实业有限公司
DONGGUAN UMAXCONN ENTERPRISE LIMITED

APPD: Jason MAT'L:

CHKD: Schumi FINISH:

DRWN: Lei Songping Q'TY:

TITLE: MINI PCI EXPRESS 7.0MM HEIGHT			
PART NO. 91304-70-052RXXX			
DWG NO. C-91304-70			
UNITS	SCALE	SHEET	REV
MM	1 : 1	5 OF 5	0

0	-----	Lei Songping	Jun,06,2019
REV	ECN NO.	NAME	DATE