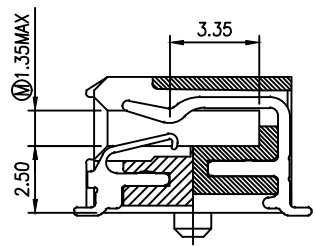
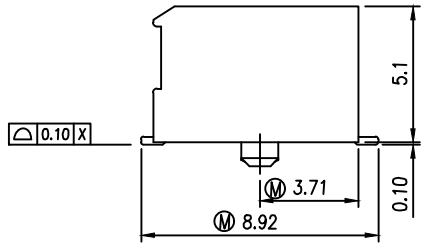


**RECOMMENDED PCB LAYOUT**

Tolerance: ±0.05



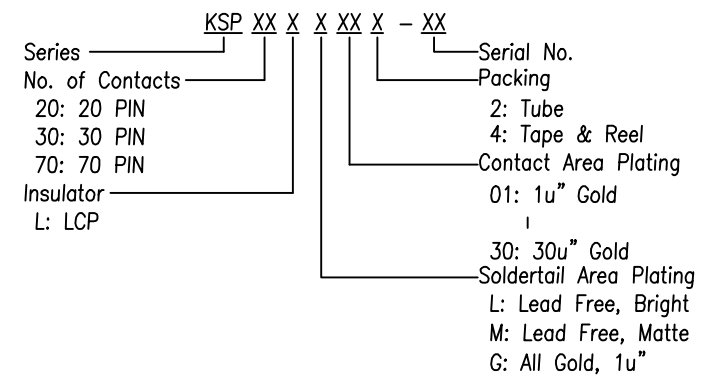
**SECTION F-F**

**Material:**  
 Insulator: LCP(MG-350BPRL) , UL 94V-0, Color: Black.  
 Contact: Phosphor Bronze , C5191 0.2t  
 Contact Plating: Selected Gold Plating On Contact Area.  
 1u" Gold Min. Over Nickel Underplated Overall.  
 ROHS Compliant

**Electrical:**  
 Voltage Rating: 100V AC.  
 Current Rating: 1 A.  
 Contact Resistance: 40 milliohms Max.  
 Dielectric Withstanding Voltage: 500V AC Min.  
 Insulation Resistance: 1000 Megaohms Min.

**Environmental:**  
 Temperature Range: -40°C to +85°C.

**PART NO.**



**TABLE 1**

PRODUCT NO.	Pos. No.	DIM. A	DIM. B	DIM. C	DIM. D	DIM. E
KSP20XXXXX-XX	20	7.60	9.40	11.00	7.2	9.600
KSP30XXXXX-XX	30	11.60	13.40	15.00	11.2	13.600
KSP70XXXXX-XX	70	27.60	29.40	31.00	27.2	29.600

**TABLE 2**

PRODUCT NO.	Pos. No.	W	X	Y		
KSP20XXXXX-XX	20	10	11	20		
KSP30XXXXX-XX	30	15	16	30		
KSP70XXXXX-XX	70	35	36	70		

REV	ECN NO.	NAME	DATE	TOLERANCE		UMax 东莞市友贸实业有限公司 DONGGUAN UMAXCONN ENTERPRISE LIMITED
				LINEAR	ANGLES	
G	E1411916	Jiang Min	Nov,04,2014			
F	12032	Willson	May,30,2012	X,±0.20	X°±	
E	11078	Willson	Apr,02,2012	.X±0.15	.X°±	APPD: Jason MAT'L:
D	08079	Terry	Dec,08,2008	.XX±0.08	.XX°±	CHKD: Schumi FINISH:
REV	ECN NO.	NAME	DATE	.XXX±0.05	.XXX°±	DRWN: Terry Q'TY:

**TITLE:** SFP Connector 0.8mm Pitch

**PART NO.** KSPXXXXXX-XX

**DWG NO.** SF05002

UNITS	SCALE	SHEET	REV
MM	1 : 1	1 OF 1	G