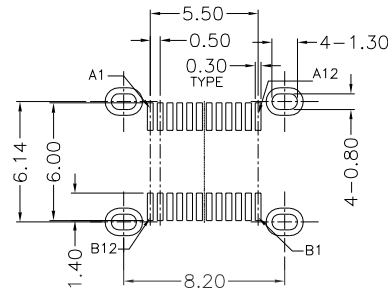
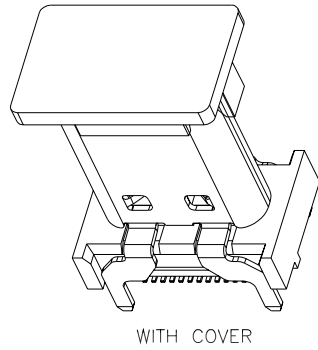
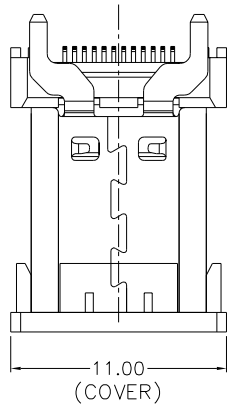
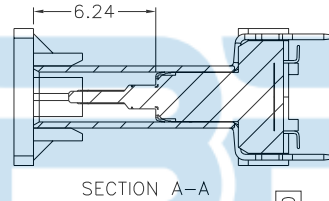




REV.	DESCRIPTION	NAME	DATE
A	NEWS ISSUE		



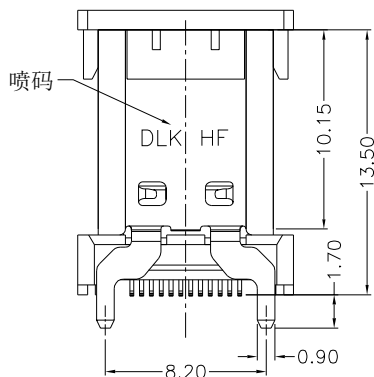
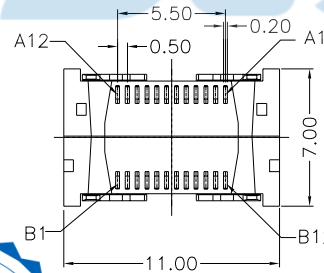
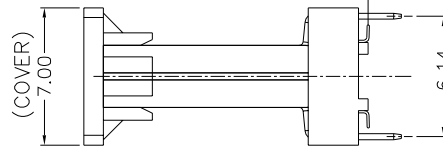
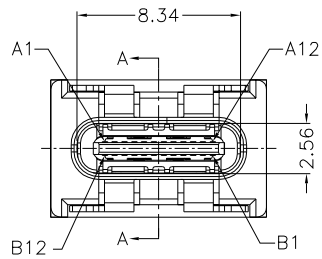
- Contact Resistance: 40mOHM Max. ;
- Dielectric Withstanding Voltage: 100V AC For 1 Minute;
- Insulation Resistance: 100M OHM Min. ;
- Mating And Unmating Force:
Mating Force: 5~20N
Unmating Force: 8~20N (0~1000cycle);
6~20N (1001~10000cycle);
- Durability: 10000 Cycles;



RECOMMEND P.C.B LAYOUT (COMPONENT SIDE)
TOLERANCE FOR PCB LAYOUT IS ± 0.05
KEEP OUT AREA

USB TYPE-C FULL-FEATURED RECEPTACLE INTERFACE PIN ASSIGNMENTS

PIN	Signal Name	Description	PIN	Signal Name	Description
A1	GND	Ground return	B12	GND	Ground return
A2	SSTxp1	Positive half of first SuperSpeed TX differential pair	B11	SSRXp1	Positive half of first SuperSpeed RX differential pair
A3	SSTxn1	Negative half of first SuperSpeed TX differential pair	B10	SSRXn1	Negative half of first SuperSpeed RX differential pair
A4	Vbus	Bus Power	B9	Vbus	Bus Power
A5	CC1	Configuration Channel	B8	SBU2	Sideband Use (SBU)
A6	Dp1	Positive half of the USB 2.0 differential pair-Position 1	B7	Dn2	Negative half of the USB 2.0 differential pair-Position 2
A7	Dn1	Negative half of the USB 2.0 differential pair-Position 1	B6	Dp2	Positive half of the USB 2.0 differential pair-Position 2
A8	SBU1	Sideband Use (SBU)	B5	CC2	Configuration Channel
A9	Vbus	Bus Power	B4	Vbus	Bus Power
A10	SSRXn2	Negative half of second SuperSpeed RX differential pair	B3	SSTXn2	Negative half of second SuperSpeed TX differential pair
A11	SSRXp2	Positive half of second SuperSpeed RX differential pair	B2	SSTXp2	Positive half of second SuperSpeed TX differential pair
A12	GND	Ground return	B1	GND	Ground return



Item	Title	Material	Dispose	Remark
1	Shell	Stainless Steel	Ni:30u" Min.	
2	GND Plate	Stainless Steel		
3	Mid Plate	Stainless Steel	Solder Tails: Matt Tin	
4	Top Contact	Copper Alloy	Mating Area: See P/N	
5	Bottom Contact	Copper Alloy	Solder Tails: Matt Tin	
6	Insulator	High Temperature Plastic	UL 94V-0	Black

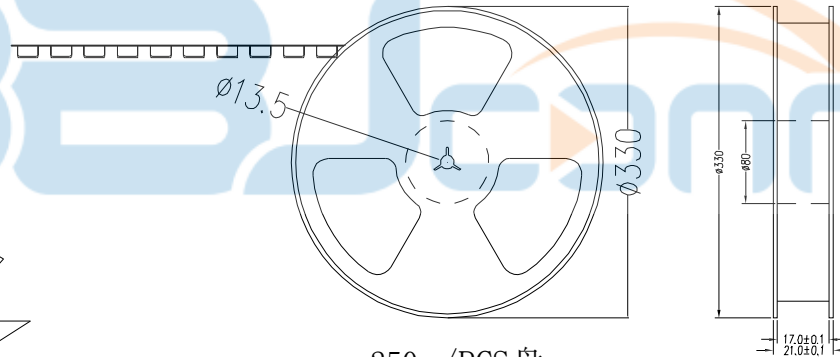
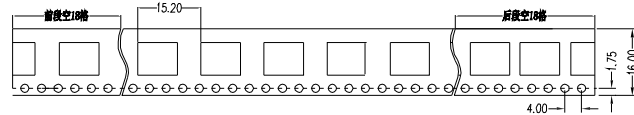
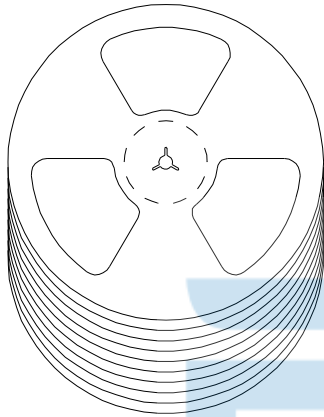
TOLERANCE UNSPECIFIED	
.0	± 0.3
.00	± 0.2
.000	± 0.1
.0°	$\pm 1.0^\circ$
.00°	$\pm 0.5^\circ$
.000°	$\pm 0.2^\circ$

深圳市步步精科技有限公司

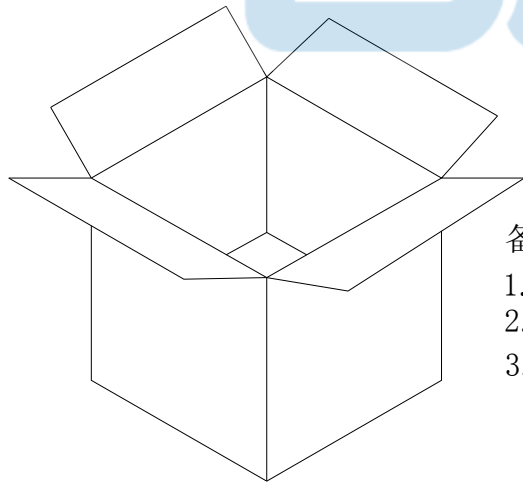
TITLE: TYPE-C 24P 母座 直立式H=13.5

DRAWN/ DATE	设计 HMY	SIZE: A4	UNIT: MM.	PART. NO: UC. 01. 62-16-0005
CHECKED/ DATE	审核 LYX	SCALE: 1:1	PROJECTION	REV.: 版本
APPROVED/ DATE	核准 LJP	DWG. PATH	0299-2	SHEET: 页码

REV.	DESCRIPTION	NAME	DATE
A	NEWS ISSUE		



250 /PCS盘



备注:

1. 包装数量: 250 /PCS/盘, 10盘/箱或15盘/箱。
2. 包装袋长度: 每盘前后各空10-20个空格, 中间包装。
3. 材质:

载体: 聚丙烯 (PS), 阻抗 $10^{6-9} \Omega$

上带: 聚乙烯 (PET), 阻抗 $10^{6-11} \Omega$

卷盘: 聚苯乙烯。

纸箱规格: 345*345*23MM

纸箱规格: 345*345*35MM

TOLERANCE UNSPECIFIED		<p style="text-align: center; font-size: 24px; font-weight: bold;">深圳市步步精科技有限公司</p> <p>TITLE: TYPE-C 24P 母座 直立式H=13.5</p>					
.0	±0.35						
.00	±0.25	DRAWN/ DATE	设计 HMY	SIZE: A4	UNIT: MM.	PART. NO:	UC.01.62-16-0005
.000	±0.15	CHECKED/ DATE	审核 LYX	SCALE: 1:1	PROJECTION	REV.:	版本
X.°	±2.00°	APPROVED/ DATE	核准 LJP	DWG. PATH	0299-2	SHEET:	页码
CUSTOMER DRAWING							