

PCB LAYOUT 图仅供参考

Note:

- 1.Material:
 - 1.1 Housing: PA9T
 - 1.2 Contact:C5191,t=0.20mm
 - 1.3 Shell: Kirsite
- 2.ELECTRICAL:
 - 2-1:CURRENT RATING:
VBUS AND GND CONTACTS RATED AT 1.25A PARALLELED FOR A TOTAL OF 5A;
 - 2-2:INITIAL CONTACT RESISTANCE :40 MEGOHMS
 - 2-3:DIELECTRIC WITHSTANDING VOLTAGE:
100V AC MIN;
- 3:MECHANICAL CHARACTERISTICS:
 - 3-1:MATING FORCE:5~20N
 - 3-2:UNMATING FORCE:8~20N(INITIAL),
6~20N(AFTER 10000 CYCLES)
 - 3-3:FREQUENCE: 200±50 CYCLES /HOUR,10000 CYCLES
 - 3-4:OPERATING TEMPERATURE ;-40°~80°.
- 4: WATERPROOF: IP-X7.

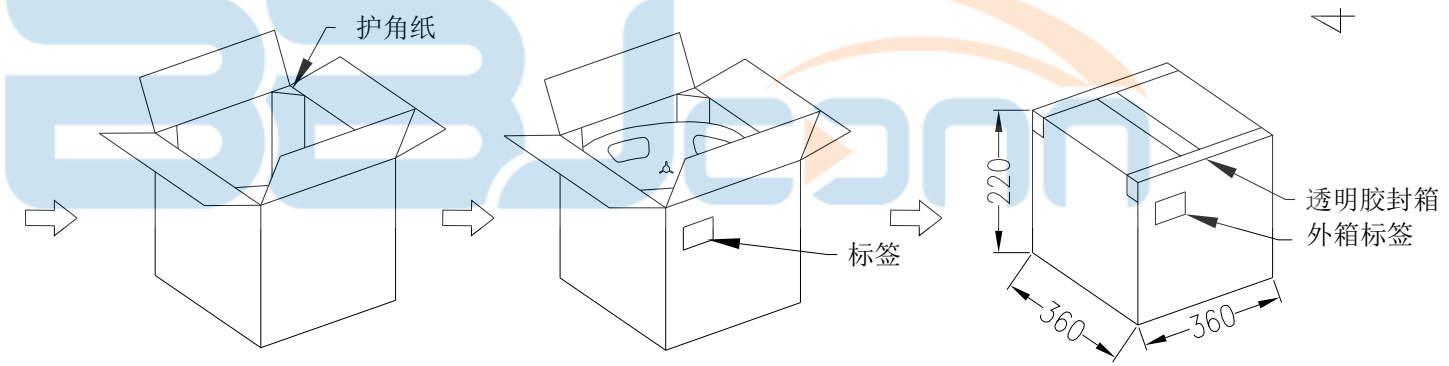
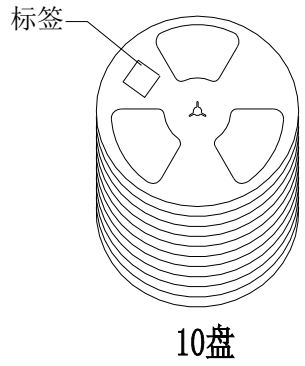
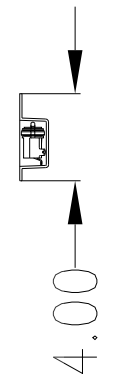
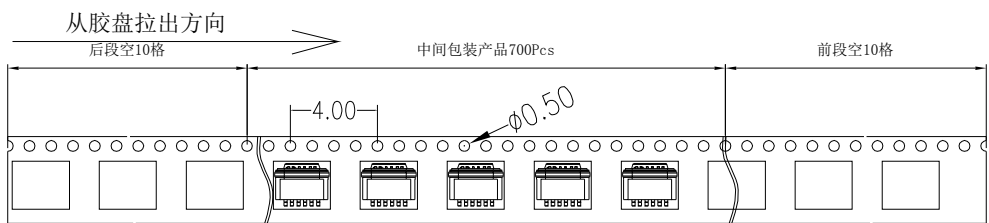
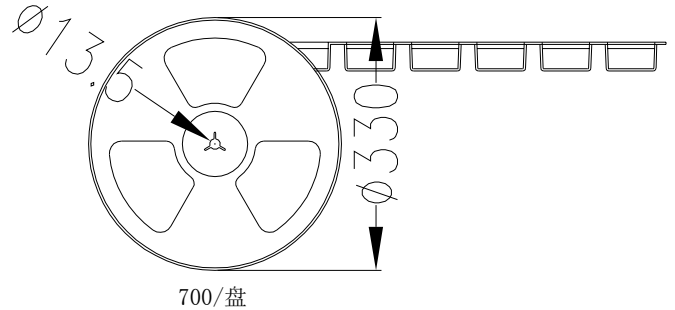


TABLE B

A5	CC1	B12	GND
A9	VBUS	B9	VBUS
A12	GND	B1	GND
PIN	SIGNAL NAME	PIN	SIGNAL NAME

MODEL NO: XX		MATERIAL: SEE NOTE	深圳市步步精科技有限公司	
UNIT: MM SIZE: A4		FINISH: SEE NOTE		
TOLERANCE UNSPECIFIED		COLOR: SEE NOTE	TITLE: TYPE-C 6P 防水母座后俩脚插带柱L=5.70 锌合金外壳IPX7 CH=1.6	
.x	±0.15	DR: IMY	PART NO: UC. 01. 53-1J-0002	
.xx	±0.10	CHK: LYX	REV: A	
.xxx	±0.05	APP: LJP	SCALE: 5:1	0395-1
Ang.	±1°			

REV.	ECN NO	LOCATIONS	DESCRIPTION	DATE



- 备注:
1. 每盘前面空10个空格后面空10个空格, 中间包装700PCS.
 2. 每箱包装10盘, 共包装7,000PCS.

7K/箱 纸箱规格: 360*360*220mm



MODEL NO: XX		MATERIAL: SEE NOTE		深圳市步步精科技有限公司	
UNIT: MM		FINISH: SEE NOTE			
SIZE: A4		COLOR: SEE NOTE		TITLE: TYPE-C 6P 防水母座后两脚插带L=5.70 锌合金外壳1PX7 CH=1.6	
TOLERANCE UNSPECIFIED .x ±0.15 .xx ±0.10 .xxx ±0.05 Ang. ±1°		DR: HMY		PART NO: UC.01.53-1J-0002	
		CHK: LYX		REV: A	
		APP: LJP		SCALE: 0395-1	

