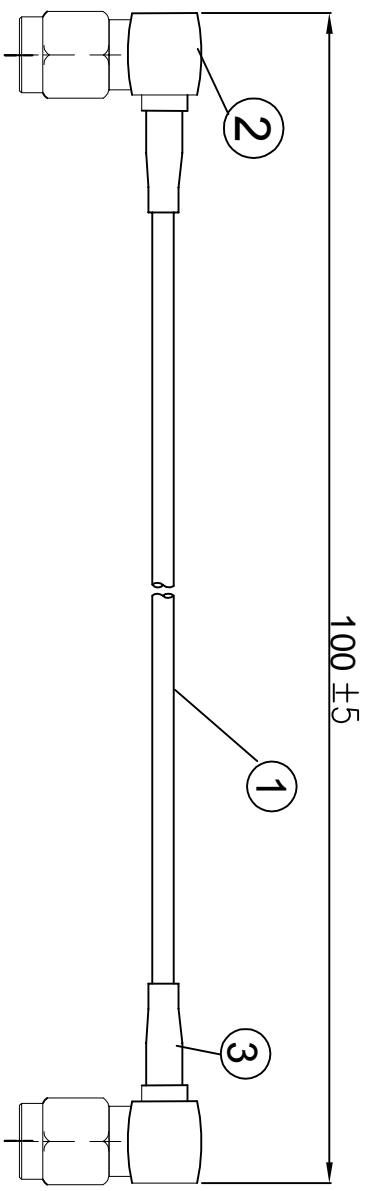




REVISIONS				
REV NUMBER	DESCRIPTION	DWN	CHK	DATE
A	DESIGN		James	9/26



型号: KH-SMA178-2J

- NOTES:
- ELECTRICAL:
 - VOLTAGE RATING:DCV 300V 10MS
 - CONDUCTANCE RESISTANCE:3.0 OHM/MAX.
 - INSULATION RESISTANCE: 5.0M OHM/MIN.
 - THE CABLE SHOULD BE 100% ELECTRICAL TEST
 - IT SHOULD BE NO ANY OPEN/SHORT, MISWIRING AND INTERMITTENT FAILURES.
 - MATERIAL:
 - SEE TABLE
 - ALL COMPONENTS ARE ROHS COMPLIANT.

ITEM NO.	PART NUMBER	DESCRIPTION	QTY.
③	套管	OD:3.5* 15 mm 套管	2
②	接头	SMA 公头弯头, 镀金	2
①	同轴线	RG-178 棕色线 OD:2.5MM	AS

深圳市金航标电子有限公司 WWW.BDS666.COM 0755-83044319	
KH-SMA178-2J RG-178 CABLE SMA R/M TO SMA R/M, L=100MM	TITLE SIZE/DWG Number. REV A

ALL DIMENSION ARE IN MM CHECKD. Frank APPD. Scott COMPUTER GENERATED DO NOT SCALE THIS DRAWING PROJECTION GENERAL TOLERANCE FOR ANGLES X.X X.XX X.XXX ±1° ±0.3 ±0.25 ±0.150	DRAWN James DATE 2019-06-01 2019-06-01 2019-06-01
---	--

CUSTOMER P/N:

4 3 2 1

A B C D