

Specifications

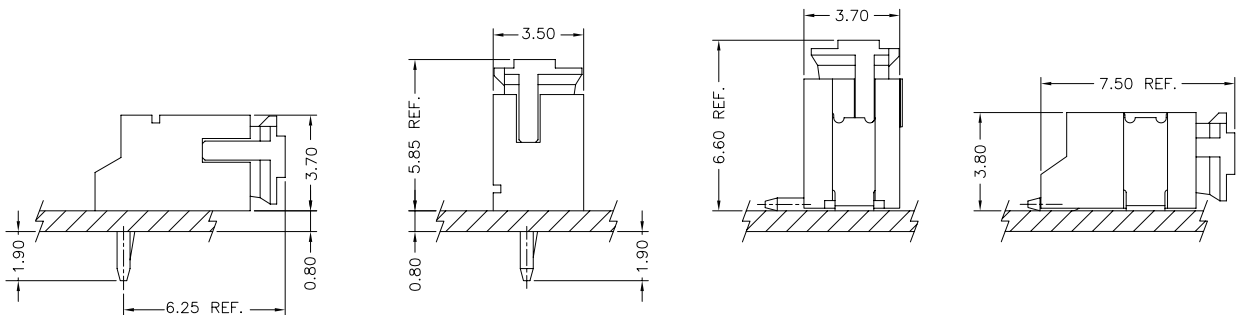
Current Rating: 0.8A~1A AC,DC(Per Pin)
 Voltage Rating: 100V AC,DC(Per Pin)
 Temperature Range: -25°C ~ +85°C
 Contact Resistance: 20mΩ Max.
 Insulation Resistance: 500MΩ Min.
 Withstanding Voltage: 500V AC/minute
 Contact H.R for Details

A
B
C
F

Standards



Assembly Layout



Ordering Code

① ② ③ ④ ⑤
A1500-X X X-X

- ① Series No.
- ② Plating Code: T=Tin-Plated, G=Gold-Plated
- ③ Material: P=Phosphor Bronze
- ④ E=Stamping Before Plating
- ⑤ Option Code: (Refer to Drawings)

① ② ③ ④
A1500 XX-X-XP

- ① Series No.
- ② Connector Type: WV=Vertical, WR=Right Angle
- ③ Mounting Type: Blank=Through Hole, S=SMT
- ④ No. of Circuits

① ② ③
A1500 X-XP

- ① Series No.
- ② Housing Type: H=Housing
- ③ No. of Circuits

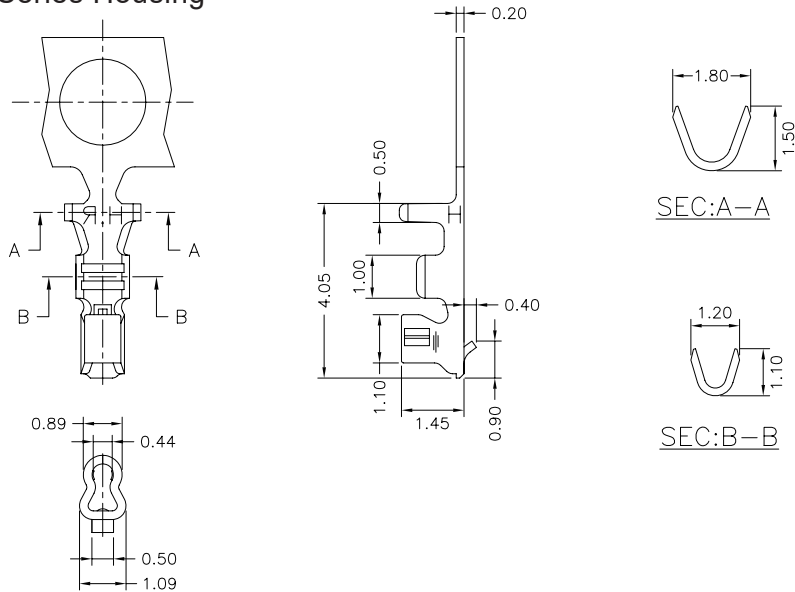


A 1500-XXX

1.50mm Pitch Crimp Terminal

Reference Information:

*Used in H.R A1500 Series Housing



Ordering Information & Specifications:

Unit:mm

Part No.	Wire Range	Insulation O.D.	Material	Finish	Qty/Reel
A1500-TPE	AWG#26-#32	1.10mm(Max)	Phosphor Bronze	Tin-Plated	15,000Pcs
A1500-GPE	AWG#26-#32	1.10mm(Max)	Phosphor Bronze	Gold-Plated	15,000Pcs

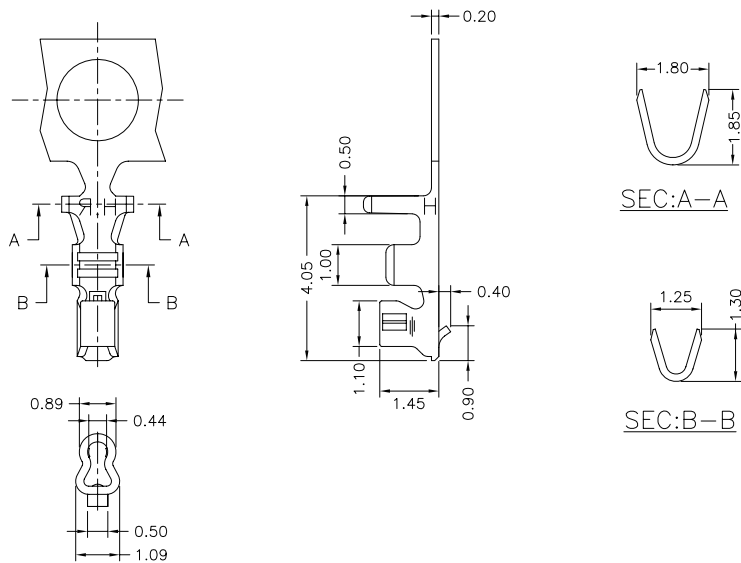
Note:E-Stamping Before Plating

A 1500-XXX

1.50mm Pitch Crimp Terminal

Reference Information:

*Used in H.R A1500 Series Housing



Ordering Information & Specifications:

Unit:mm

Part No.	Wire Range	Insulation O.D.	Material	Finish	Qty/Reel
A1500-TPE-H	AWG#24-#30	1.10mm(Max)	Phosphor Bronze	Tin-Plated	15,000Pcs

Note:E-Stamping Before Plating





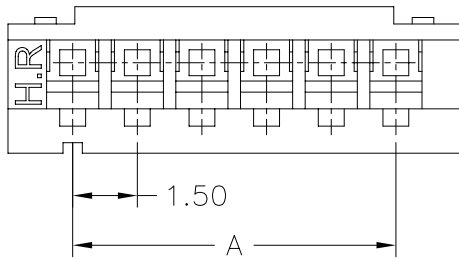
A1500 SERIES

1.50mm Pitch Wire to Board Connector

A1500H — 1.50mm Pitch Housing

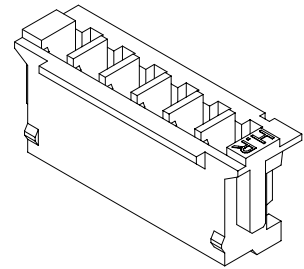
Reference Information:

- *Material: Thermoplastic
- *Suitable H.R A1500 Series Terminal
- *Mates with H.R A1500 Series Wafer



A1500H-XP X X X XX X XX X
① ② ③ ④ ⑤ ⑥ ⑦

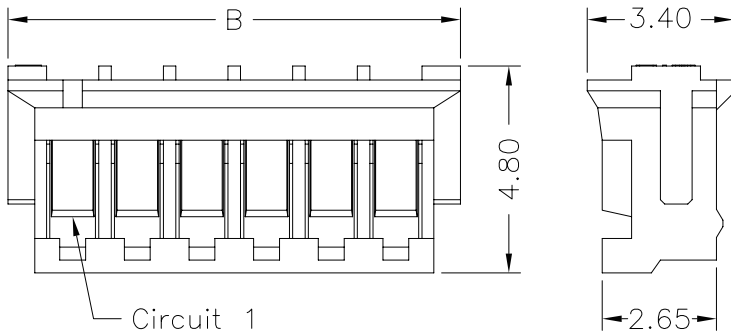
- ① Halogen Free or Not
- ② Material
- ③ Color
- ④ Plating Code for Contacts
- ⑤ Plating Code
- ⑥ Option Code
- ⑦ Packing Code



Dimensions:

Circuit No.	Dimensions	
	A	B
02	1.50	4.50
03	3.00	6.00
04	4.50	7.50
05	6.00	9.00
06	7.50	10.50
07	9.00	12.00
08	10.50	13.50
09	12.00	15.00
10	13.50	16.50
11	15.00	18.00
12	16.50	19.50
13	18.00	21.00
14	19.50	22.50
15	21.00	24.00

Unit:mm



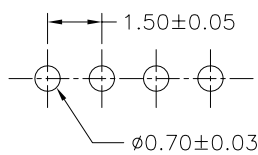
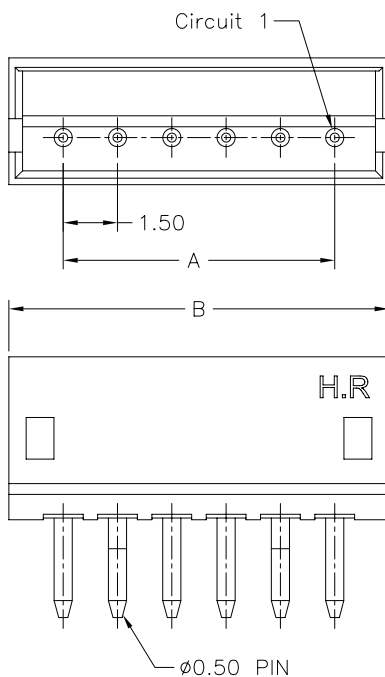
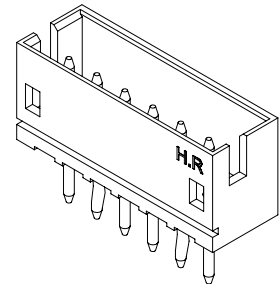
A1500WV — 1.50mm Pitch 180° Wafer

Reference Information:

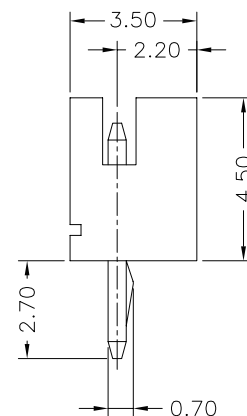
- *Material: Pin: Copper Alloy
Wafer: Thermoplastic
- *Mates with H.R A1500 Series Housing

A1500WV-XP X X X XX X XX X
① ② ③ ④ ⑤ ⑥ ⑦

- ① Halogen Free or Not
- ② Material
- ③ Color
- ④ Plating Code for Contacts
- ⑤ Plating Code
- ⑥ Option Code
- ⑦ Packing Code



PCB Layout



Dimensions:

Circuit No.	Dimensions	
	A	B
02	1.50	4.50
03	3.00	6.00
04	4.50	7.50
05	6.00	9.00
06	7.50	10.50
07	9.00	12.00
08	10.50	13.50
09	12.00	15.00
10	13.50	16.50
11	15.00	18.00
12	16.50	19.50
13	18.00	21.00
15	21.00	24.00

Unit:mm



A 1500WR

1.50mm Pitch 90° Wafer

Reference Information:

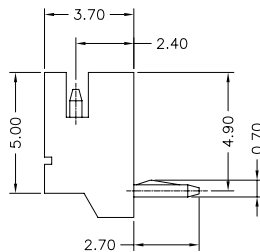
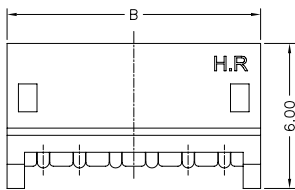
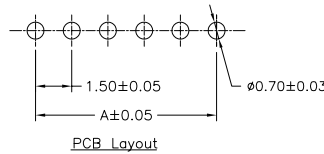
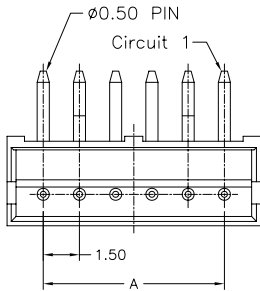
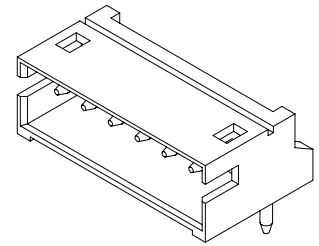
*Material: Pin: Copper Alloy

Wafer: Thermoplastic

*Mates with H.R A1500 Series Housing

A1500WR-XP	X	X	X	XX	X	XX	X
	①	②	③	④	⑤	⑥	⑦

① Halogen Free or Not
② Material
③ Color
④ Plating Code for Contacts
⑤ Plating Code
⑥ Option Code
⑦ Packing Code



Dimensions:

Circuit No.	Dimensions	
	A	B
02	1.50	4.50
03	3.00	6.00
04	4.50	7.50
05	6.00	9.00
06	7.50	10.50
07	9.00	12.00
08	10.50	13.50
09	12.00	15.00
10	13.50	16.50
11	15.00	18.00
12	16.50	19.50
13	18.00	21.00

Unit:mm

A 1500WV-S

1.50mm Pitch 180° Wafer - SMT Type

Reference Information:

*Material: Pin: Copper Alloy

Solder Tabs: Copper Alloy

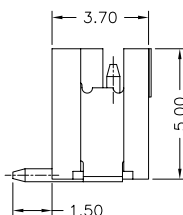
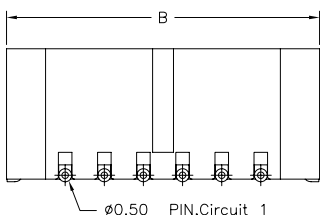
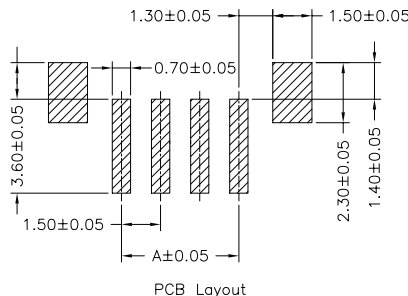
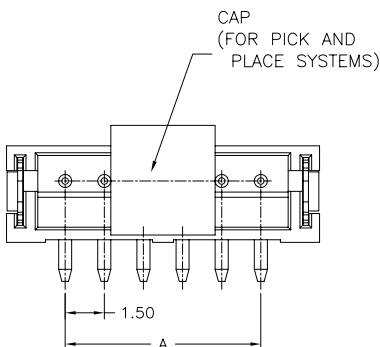
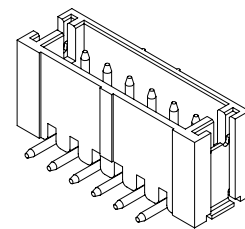
Wafer: Thermoplastic

Cap: Thermoplastic

*Mates with H.R A1500 Series Housing

A1500WV-S-XP	X	X	X	XX	X	XX	X
	①	②	③	④	⑤	⑥	⑦

① Halogen Free or Not
② Material
③ Color
④ Plating Code for Contacts
⑤ Plating Code
⑥ Option Code
⑦ Packing Code



Dimensions:

Circuit No.	Dimensions	
	A	B
02	1.50	6.00
03	3.00	7.50
04	4.50	9.00
05	6.00	10.50
06	7.50	12.00
07	9.00	13.50
08	10.50	15.00
09	12.00	16.50
10	13.50	18.00
11	15.00	19.50
12	16.50	21.00
13	18.00	22.50

Unit:mm

A
B
C
F



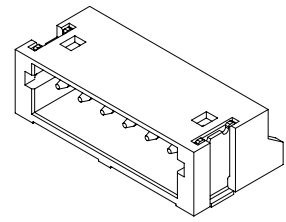
A1500WR-S

1.50mm Pitch 90° Wafer - SMT Type

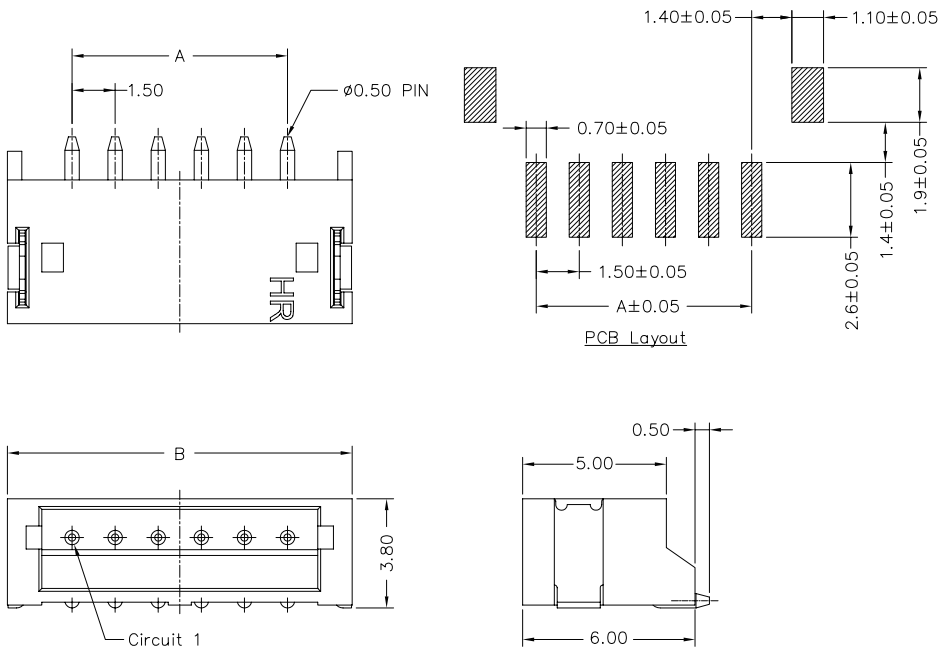
Reference Information:

- *Material: Pin: Copper Alloy
Solder Tabs: Copper Alloy
Wafer: Thermoplastic
- *Mates with H.R A1500 Series Housing

A1500WR-S-XP						
①	②	③	④	⑤	⑥	⑦
①	X	X	X	XX	X	XX
①	②	③	④	⑤	⑥	⑦
①	②	③	④	⑤	⑥	⑦
①	②	③	④	⑤	⑥	⑦
①	②	③	④	⑤	⑥	⑦
①	②	③	④	⑤	⑥	⑦



A
B
C
F



Dimensions:

Circuit No.	Dimensions	
	A	B
02	1.50	6.00
03	3.00	7.50
04	4.50	9.00
05	6.00	10.50
06	7.50	12.00
07	9.00	13.50
08	10.50	15.00
09	12.00	16.50
10	13.50	18.00
11	15.00	19.50
12	16.50	21.00
13	18.00	22.50

Unit:mm