

Specifications

Current Rating: 1.5A~3A AC,DC(Per Pin)
 Voltage Rating: 250V AC,DC(Per Pin)
 Temperature Range: -25°C ~ +85°C
 Contact Resistance: 10mΩ Max.
 Insulation Resistance: 1000MΩ Min.
 Withstanding Voltage: 800V AC/minute
 Contact H.R for Details

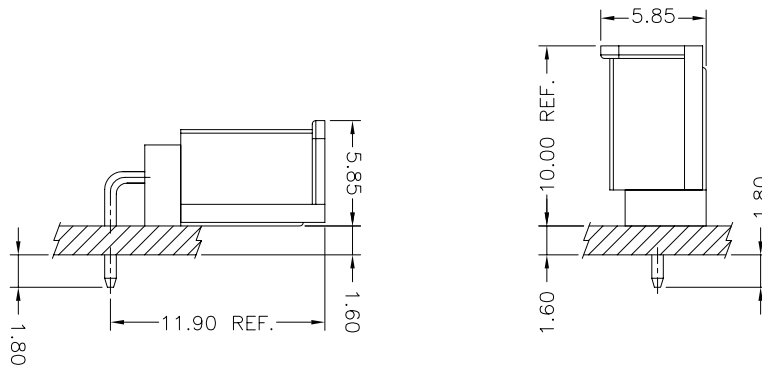
A
B
C
F

Standards



E179987

Assembly Layout



Ordering Code

① ② ③ ④
A2503-X X X

- ① Series No.
- ② Plating Code: T=Tin-Plated
- ③ Material: B=Brass
- ④ E=Stamping Before Plating

① ② ③
A2503 XX-XP

- ① Series No.
- ② Connector Type: WV=Vertical, WR=Right Angle
- ③ No. of Circuits

① ② ③
A2503 H-X-XP

- ① Series No.
- ② Housing Type: H=Housing
- ③ No. of Circuits



A2503 SERIES

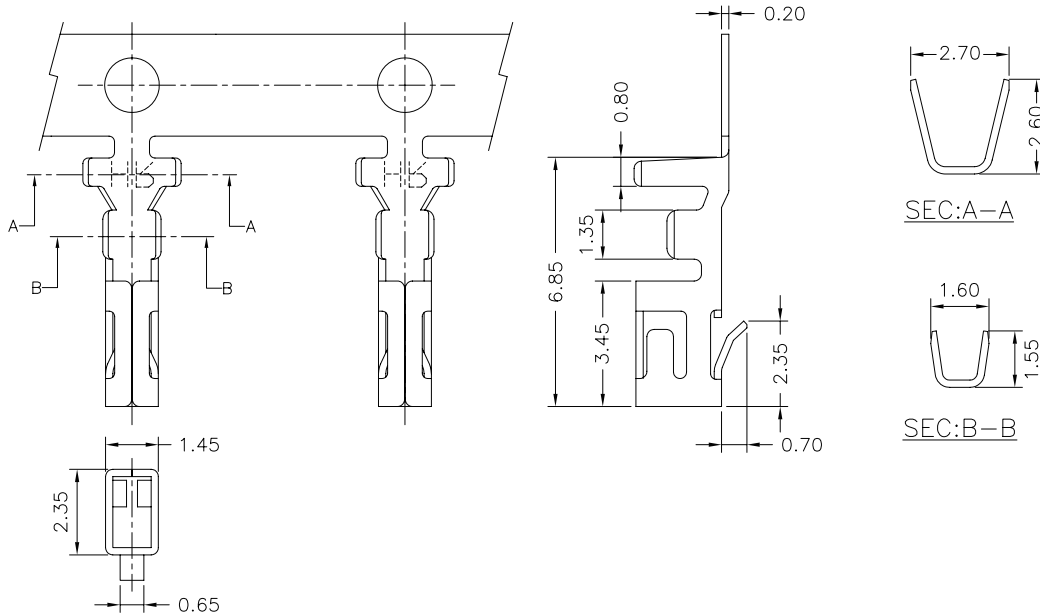
2.50mm Pitch Wire to Board Connector

A2503-XXX

2.50mm Pitch Crimp Terminal

Reference Information:

*Used in H.R A2503 Series Housing



Ordering Information & Specifications:

Unit:mm

Part No.	Wire Range	Insulation O.D.	Material	Finish	Qty/Reel
A2503-TBE	AWG#22-#28	1.75mm(Max)	Brass	Tin-Plated	8,000Pcs

Note:E-Stamping Before Plating

A2503H

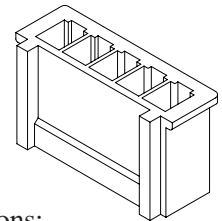
2.50mm Pitch Housing

Reference Information:

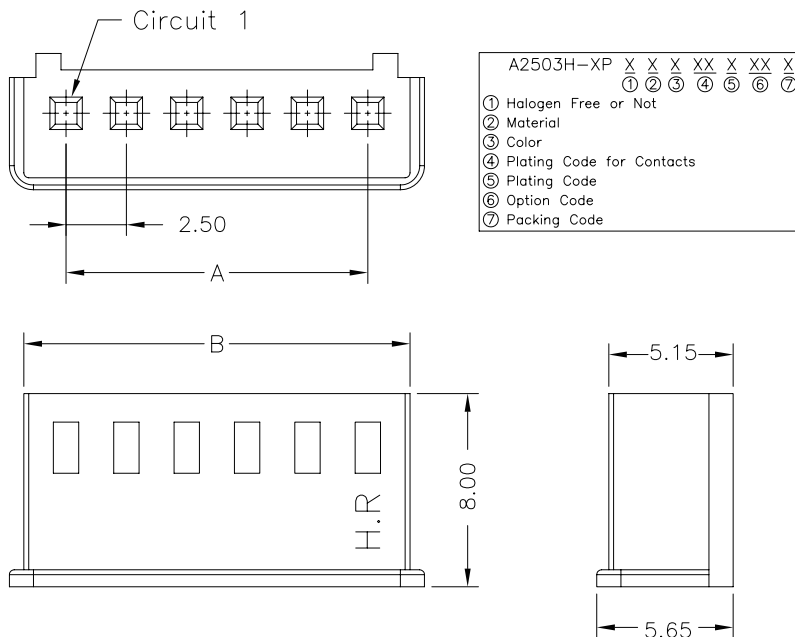
*Material: Thermoplastic

*Suitable H.R A2503 Series Terminal

*Mates with H.R A2503 Series Wafer



Dimensions:



Circuit No.	Dimensions	
	A	B
02	2.50	6.00
03	5.00	8.50
04	7.50	11.00
05	10.00	13.50
06	12.50	16.00
07	15.00	18.50
08	17.50	21.00
09	20.00	23.50
10	22.50	26.00
11	25.00	28.50
12	27.50	31.00
13	30.00	33.50
14	32.50	36.00
15	35.00	38.50
16	37.50	41.00
17	40.00	43.50
18	42.50	46.00
19	45.00	48.50
20	47.50	51.00

Unit:mm



A2503 SERIES

2.50mm Pitch Wire to Board Connector

A2503WV

—2.50mm Pitch 180° Wafer—

Reference Information:

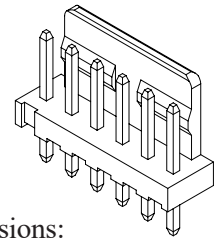
*Material: Pin: Copper Alloy

Wafer: Thermoplastic

*Mates with H.R A2503 Series Housing

A2503WV-XP	X	X	X	XX	X	XX	X
	①	②	③	④	⑤	⑥	⑦

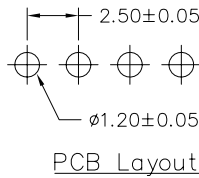
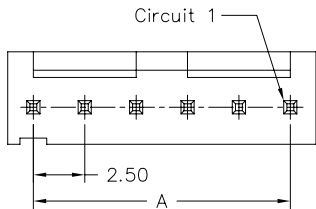
① Halogen Free or Not
② Material
③ Color
④ Plating Code for Contacts
⑤ Plating Code
⑥ Option Code
⑦ Packing Code



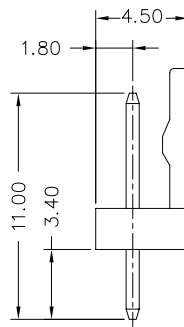
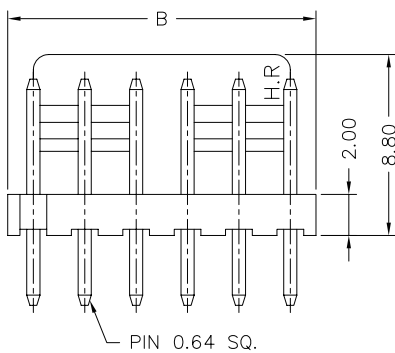
Dimensions:

Circuit No.	Dimensions	
	A	B
02	2.50	5.00
03	5.00	7.50
04	7.50	10.00
05	10.00	12.50
06	12.50	15.00
07	15.00	17.50
08	17.50	20.00
09	20.00	22.50
10	22.50	25.00
11	25.00	27.50
12	27.50	30.00
13	30.00	32.50
14	32.50	35.00
15	35.00	37.50
16	37.50	40.00
17	40.00	42.50
18	42.50	45.00
19	45.00	47.50
20	47.50	50.00

Unit:mm



PCB Layout



A2503WR

—2.50mm Pitch 90° Wafer—

Reference Information:

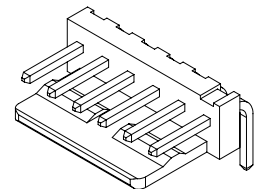
*Material: Pin: Copper Alloy

Wafer: Thermoplastic

*Mates with H.R A2503 Series Housing

A2503WR-XP	X	X	X	XX	X	XX	X
	①	②	③	④	⑤	⑥	⑦

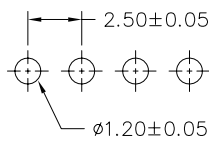
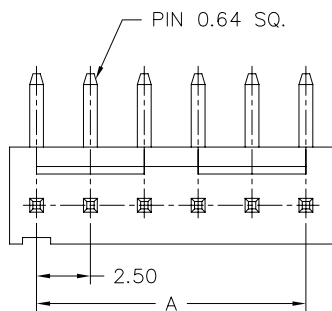
① Halogen Free or Not
② Material
③ Color
④ Plating Code for Contacts
⑤ Plating Code
⑥ Option Code
⑦ Packing Code



Dimensions:

Circuit No.	Dimensions	
	A	B
02	2.50	5.00
03	5.00	7.50
04	7.50	10.00
05	10.00	12.50
06	12.50	15.00
07	15.00	17.50
08	17.50	20.00
09	20.00	22.50
10	22.50	25.00
11	25.00	27.50
12	27.50	30.00
13	30.00	32.50
14	32.50	35.00
15	35.00	37.50
16	37.50	40.00
17	40.00	42.50
18	42.50	45.00
19	45.00	47.50
20	47.50	50.00

Unit:mm



PCB Layout

