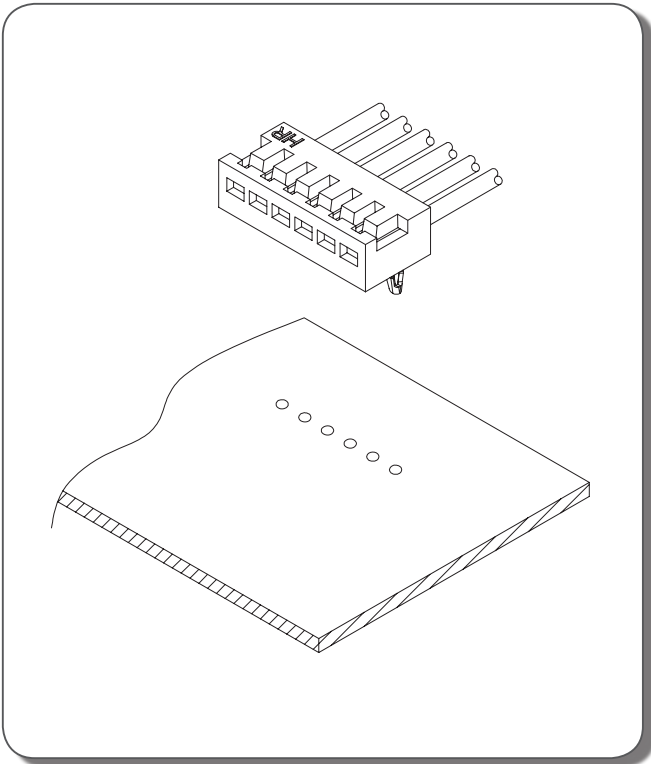




A
B
C
F



Specifications

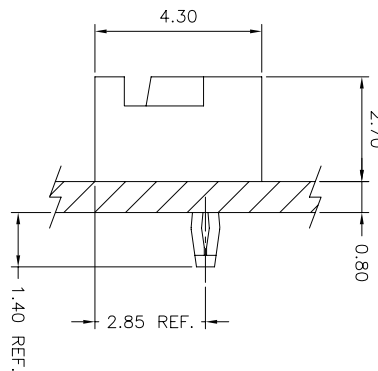
- Current Rating: 1A AC,DC(Per Pin)
- Voltage Rating: 200V AC,DC(Per Pin)
- Temperature Range: -25°C ~ +85°C
- Contact Resistance: 20mΩ Max.
- Insulation Resistance: 500MΩ Min.
- Withstanding Voltage: 500V AC/minute
- *Contact H.R for Details*

Standards



E179987

Assembly Layout



Ordering Code

1 2 3 4 5
B1502 X-X X X

- ① Series No.
- ② Terminal Type: R=Right Angle
- ③ Plating Code: T=Tin-Plated
- ④ Material: B=Brass
- ⑤ E=Stamping Before Plating

1 2 3
B1502 XX-XP

- ① Series No.
- ② Housing type: HR=Right Angle Housing
- ③ No. of circuits



B1502 SERIES

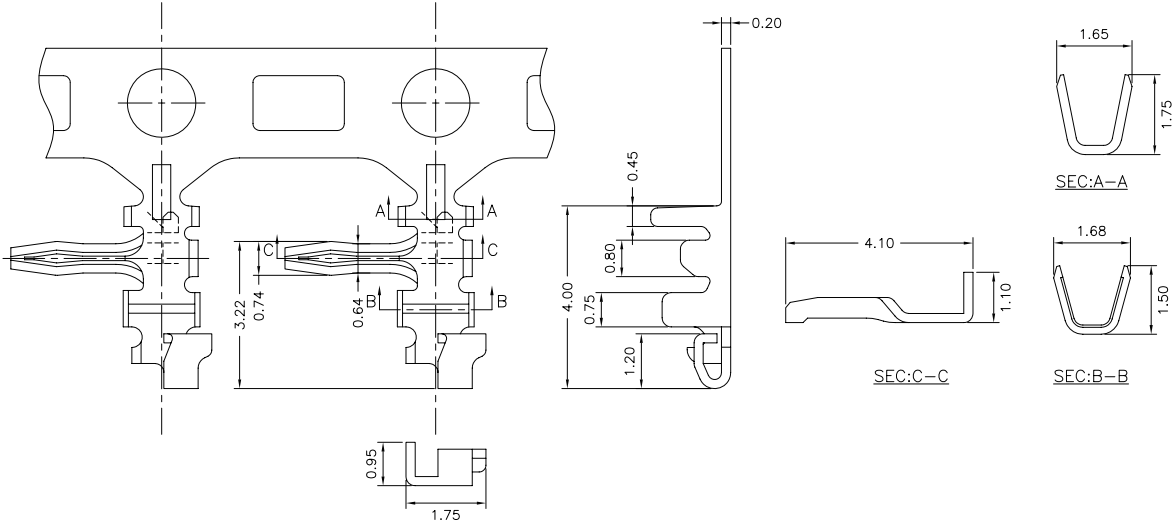
1.50mm Pitch Board-in Connector

B1502R-XXX

1.50mm pitch 90° Crimp Terminal

Reference Information:

*Used in H.R B1502HR Series Housing



A
B
C
F

Ordering Information & Specifications:

Unit:mm

Part No.	Wire Range	Insulation O.D.	Material	Finish	Qty/Reel
B1502R-TBE	AWG#28-#30	1.00mm(max)	Brass	Tin-Plated	10,000Pcs

Note:E-Stamping Before Plating

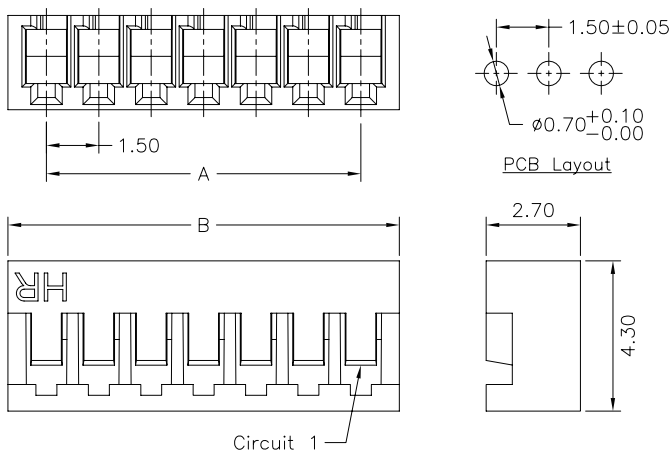
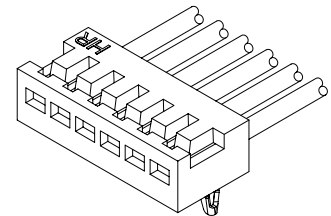
B1502HR

1.50mm pitch 90° Housing

Reference Information:

*Material: Thermoplastic

*Suitable H.R B1502R Series Terminal



Dimensions:

Circuit No.	Dimensions	
	A	B
02	1.50	3.70
03	3.00	5.20
04	4.50	6.70
05	6.00	8.20
06	7.50	9.70
07	9.00	11.20
08	10.50	12.70
09	12.00	14.20
10	13.50	15.70
11	15.00	17.20
12	16.50	18.70
13	18.00	20.20
14	19.50	21.70
15	21.00	23.20

B1502HR-XP X X X XX X XX X

① ② ③ ④ ⑤ ⑥ ⑦

- ① Halogen Free or Not
- ② Material
- ③ Color
- ④ Plating Code for Contacts
- ⑤ Plating Code
- ⑥ Option Code
- ⑦ Packing Code

Unit:mm