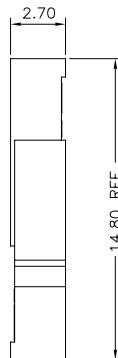


Specifications

- Current Rating: 1A~2A AC,DC(Per Pin)
- Voltage Rating: 125V AC,DC(Per Pin)
- Temperature Range: -25°C ~ +85°C
- Contact Resistance: 20mΩ Max.
- Insulation Resistance: 1000MΩ Min.
- Withstanding Voltage: 500V AC/minute
- *Contact H.R for Details*

A
B
C
F

Assembly Layout



Ordering Code

① C2003 ② X-X ③ X ④ X

- ① Series No.
- ② Terminal Type: F=Female, M=Male
- ③ Plating Code: T=Tin-Plated
- ④ Material: B=Brass
- ⑤ E=Stamping Before Plating

① C2003 ② XX-XP

- ① Series No.
- ② Housing Type: HF=Receptacle Housing
HM=Plug Housing
- ③ No. of Circuits

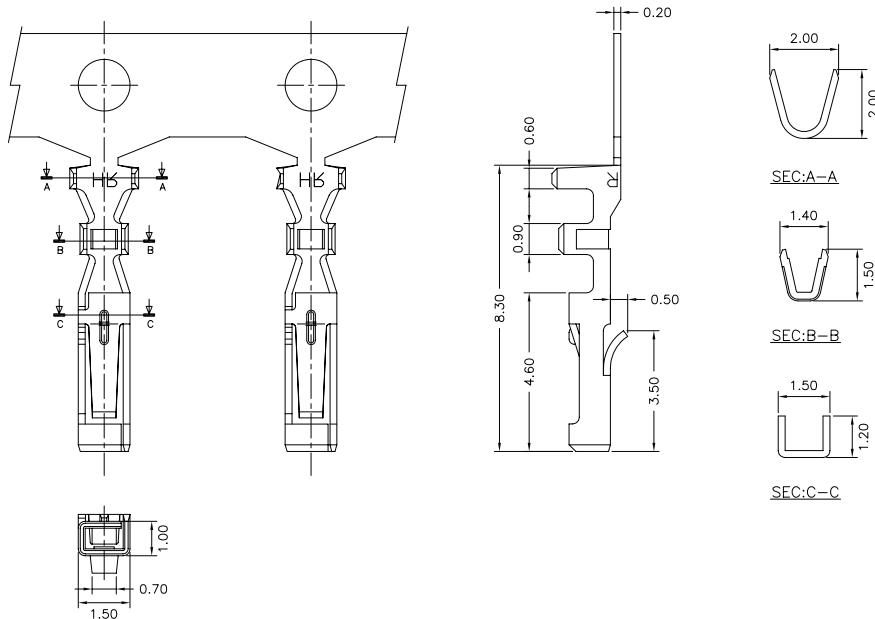


C2003F-XXX

— 2.00mm Pitch Crimp Terminal —

Reference Information:

*Used in H.R C2003HF Series Housing



Ordering Information & Specifications:

Unit:mm

Part No.	Wire Range	Insulation O.D.	Material	Finish	Qty/Reel
C2003F-TBE	AWG#24-#28	1.15mm(Max)	Brass	Tin-Plated	10,000Pcs

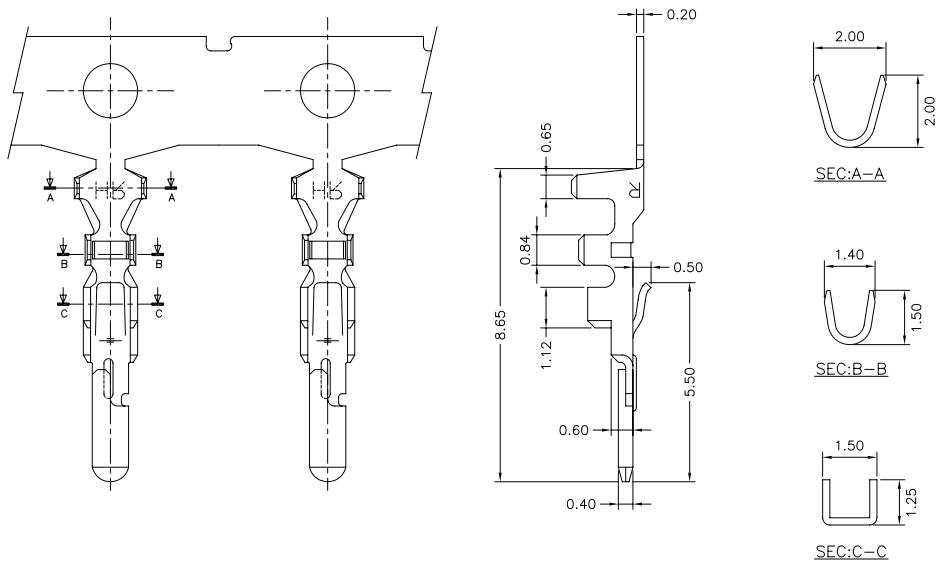
Note:E-Stamping Before Plating

C2003M-XXX

— 2.00mm Pitch Crimp Terminal —

Reference Information:

*Used in H.R C2003HM Series Housing



Ordering Information & Specifications:

Unit:mm

Part No.	Wire Range	Insulation O.D.	Material	Finish	Qty/Reel
C2003M-TBE	AWG#24-#28	1.15mm(Max)	Brass	Tin-Plated	10,000Pcs

Note:E-Stamping Before Plating

A
B
C
F

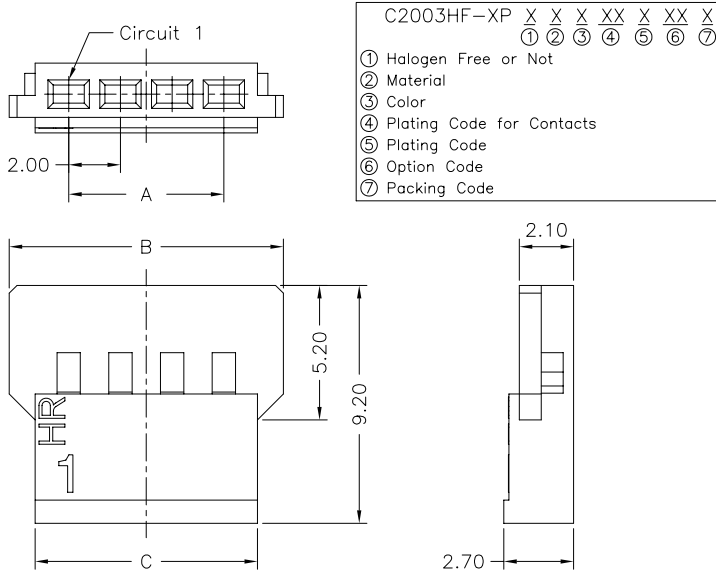
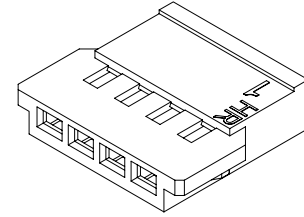


C2003HF

2.00mm Pitch Housing - Receptacle

Reference Information:

- *Material: Thermoplastic
- *Suitable H.R C2003F Series Terminal
- *Mates with H.R C2003HM Series Housing



Dimensions:

Circuit No.	Dimensions		
	A	B	C
02	2.00	6.60	4.60
03	4.00	8.60	6.60
04	6.00	10.60	8.60
05	8.00	12.60	10.60
06	10.00	14.60	12.60
07	12.00	16.60	14.60
08	14.00	18.60	16.60
09	16.00	20.60	18.60
10	18.00	22.60	20.60
11	20.00	24.60	22.60
13	24.00	28.60	26.60

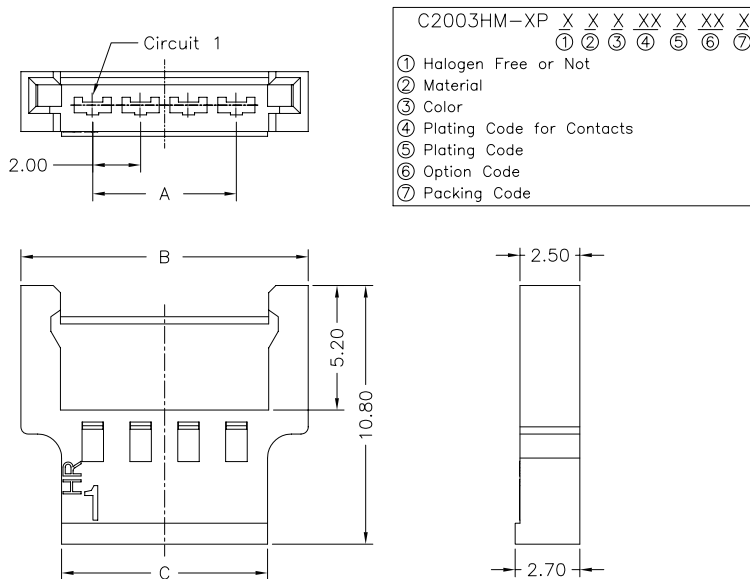
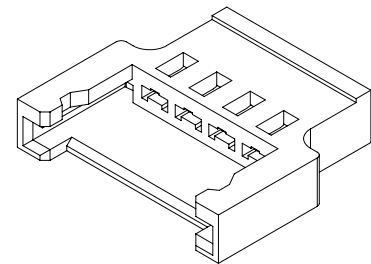
Unit:mm

C2003HM

2.00mm Pitch Housing - Plug

Reference Information:

- *Material: Thermoplastic
- *Suitable H.R C2003M Series Terminal
- *Mates with H.R C2003HF Series Housing



Dimensions:

Circuit No.	Dimensions		
	A	B	C
02	2.00	8.00	4.60
03	4.00	10.00	6.60
04	6.00	12.00	8.60
05	8.00	14.00	10.60
06	10.00	16.00	12.60
07	12.00	18.00	14.60
08	14.00	20.00	16.60
09	16.00	22.00	18.60
10	18.00	24.00	20.60
11	20.00	26.00	22.60
13	24.00	30.00	26.60

Unit:mm

A
B
C
F