

### Specifications

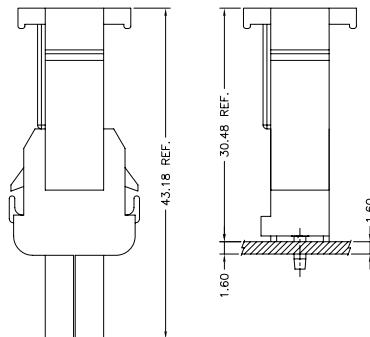
Current Rating: 6A~15A AC,DC(Per Pin)  
 Voltage Rating: 600V AC,DC(Per Pin)  
 Temperature Range: -25°C ~ +85°C  
 Contact Resistance: 3.5mΩ Max.  
 Insulation Resistance: 1000MΩ Min.  
 withstanding Voltage: 2900V AC/minute  
 \*Contact H.R for Details\*

### Standards

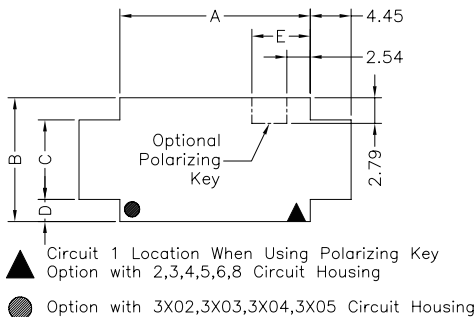


E179987

### Assembly Layout



### Panel Hole Layout



### Dimensions:

Part No.	Dimensions				
	A	B	C	D	E
C6350HM-02P	14.35	13.46	8.64	2.41	6.35
C6350HM-03P	20.70	13.46	8.64	2.41	6.35
C6350HM-04P	27.05	13.46	8.64	2.41	6.35
C6350HM-05P	33.40	13.46	8.64	2.41	6.35
C6350HM-06P	39.75	13.46	8.64	2.41	6.35
C6350HM-08P	52.45	13.46	8.64	2.41	6.35
C6350HM-3X02P	14.35	26.16	12.19	6.99	6.35
C6350HM-3X03P	20.70	26.16	12.19	6.99	6.35
C6350HM-3X04P	27.05	26.16	12.19	6.99	8.89
C6350HM-3X05P	33.40	26.16	12.19	6.99	8.89

Unit:mm



### Ordering Code

1 2 3 4 5 6  
**C6350** **X-X** **X** **X-X**

- ① Series No.
- ② Terminal Type: F=Female, M=Male
- ③ Plating Code: T=Tin-Plated
- ④ Material: B=Brass
- ⑤ E=Stamping Before Plating
- ⑥ Option Code: ( Refer to Drawings )

1 2 3 4 5  
**C6350** **WV-X-XX** **NP**

- ① Series No.
- ② Connector Type: WV=Vertical
- ③ Blank=Normal Type, F=With Post
- ④ Blank= Single Row,3X=Triple Row
- ⑤ No. of Circuits

1 2 3 4  
**C6350** **XX-XX** **NP**

- ① Series No.
- ② Housing Type: HF=Receptacle, HM=Plug
- ③ Blank= Single Row,3X=Triple Row
- ④ No. of Circuits





# C6350 SERIES

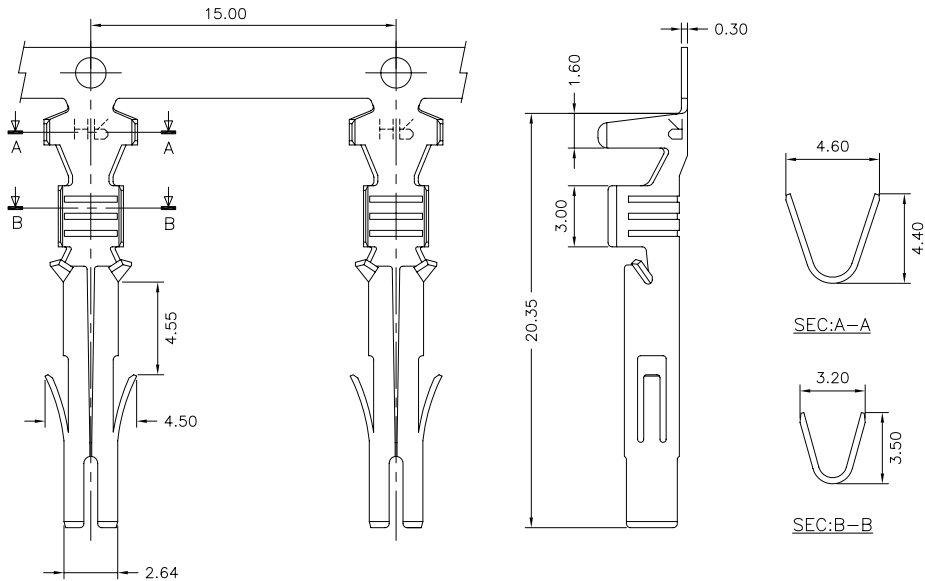
6.35mm Pitch Wire to Wire and Wire to Board Connector

## C6350F-XXX

6.35mm Pitch Crimp Terminal

### Reference Information:

\*Used in H.R C6350HF or C6350HM Series Housing



### Ordering Information & Specifications:

Unit:mm

Part No.	Wire Range	Insulation O.D.	Material	Finish	Qty/Reel
C6350F-TBE	AWG#14-#20	3.30mm(Max)	Brass	Tin-Plated	4,000Pcs

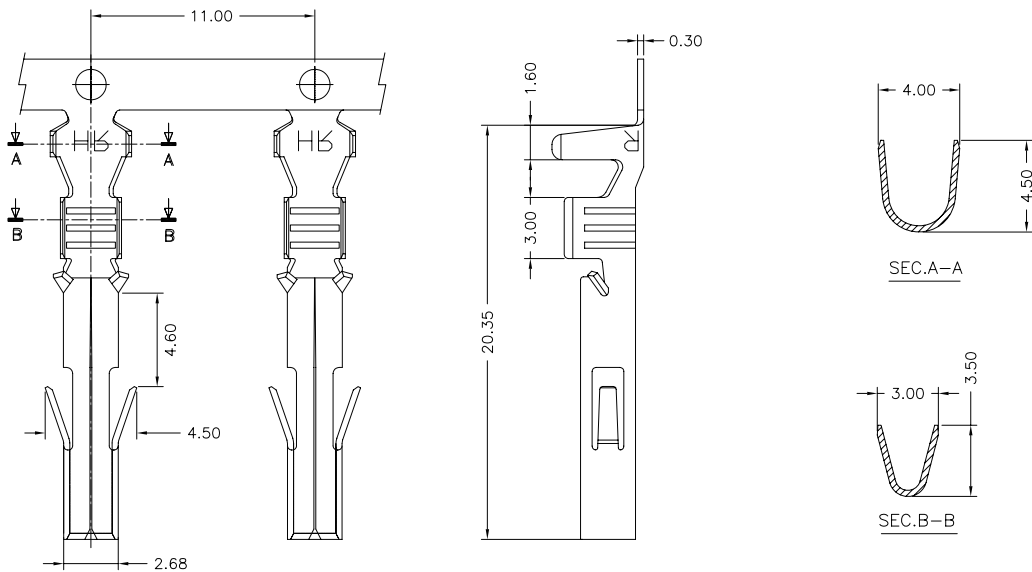
Note:E-Stamping Before Plating

## C6350F-XXX

6.35mm Pitch Crimp Terminal

### Reference Information:

\*Used in H.R C6350HF or C6350HM Series Housing



### Ordering Information & Specifications:

Unit:mm

Part No.	Wire Range	Insulation O.D.	Material	Finish	Qty/Reel
C6350F-TBE-A	AWG#14-#20	3.30mm(Max)	Brass	Tin-Plated	5,000Pcs

Note:E-Stamping Before Plating



# C6350 SERIES

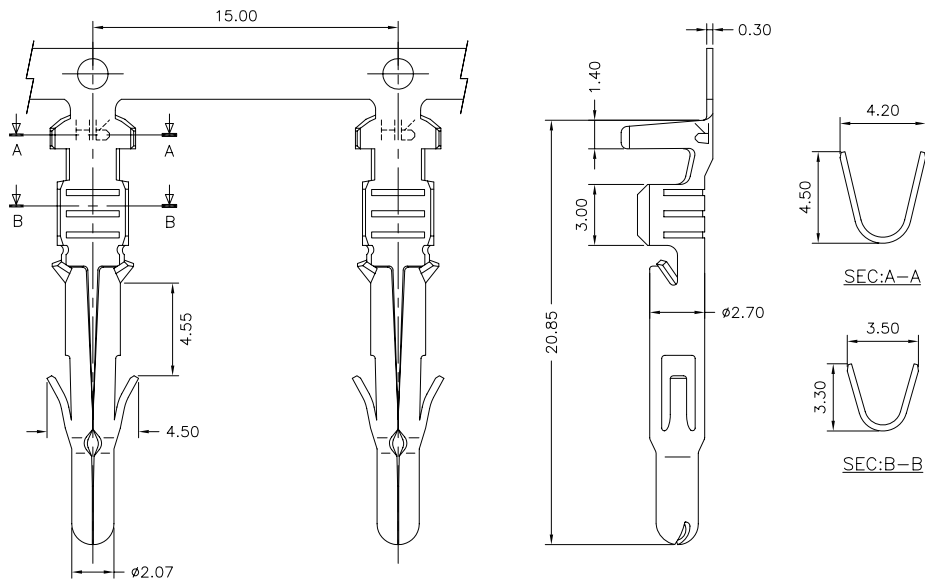
6.35mm Pitch Wire to Wire and Wire to Board Connector

## C6350M-XXX

6.35mm Pitch Crimp Terminal

### Reference Information:

\*Used in H.R C6350HF or C6350HM Series Housing



### Ordering Information & Specifications:

Unit:mm

Part No.	Wire Range	Insulation O.D.	Material	Finish	Qty/Reel
C6350M-TBE	AWG#14-#20	3.30mm(Max)	Brass	Tin-Plated	4,000Pcs

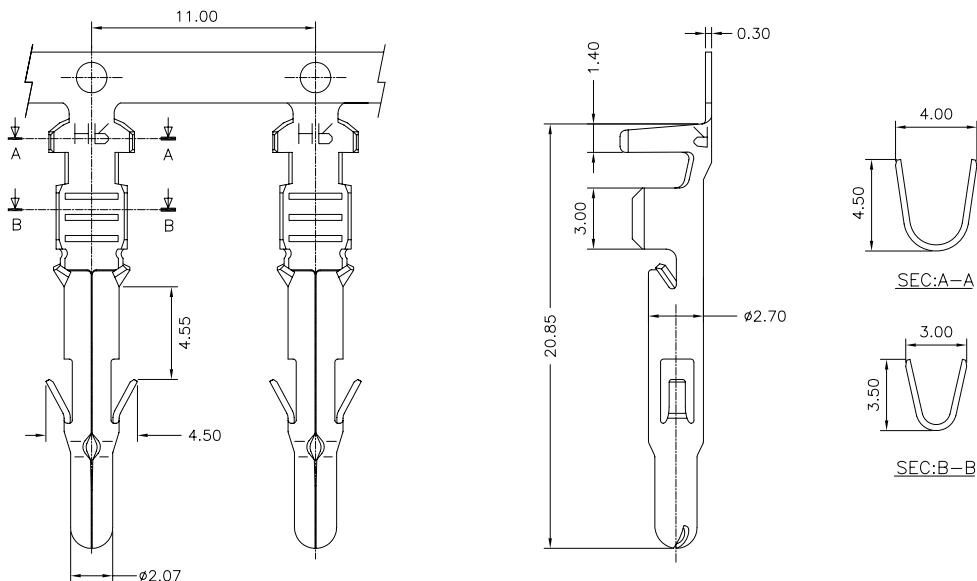
Note:E-Stamping Before Plating

## C6350M-XXX

6.35mm Pitch Crimp Terminal

### Reference Information:

\*Used in H.R C6350HF or C6350HM Series Housing



### Ordering Information & Specifications:

Unit:mm

Part No.	Wire Range	Insulation O.D.	Material	Finish	Qty/Reel
C6350M-TBE-A	AWG#14-#20	3.30mm(Max)	Brass	Tin-Plated	4,000Pcs

Note:E-Stamping Before Plating

TEL:0769-83970035

FAX:0769-83970023

HTTP://www.hr-connector.com



# C6350 SERIES

6.35mm Pitch Wire to Wire and Wire to Board Connector

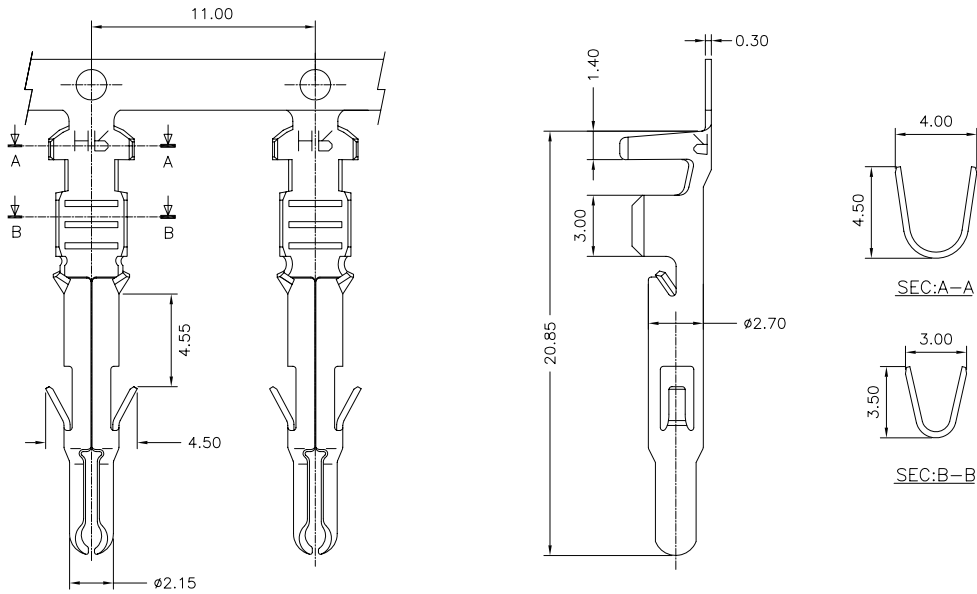


## C6350M-XXX

6.35mm Pitch Crimp Terminal

### Reference Information:

\*Used in H.R C6350HF or C6350HM Series Housing



### Ordering Information & Specifications:

Unit:mm

Part No.	Wire Range	Insulation O.D.	Material	Finish	Qty/Reel
C6350M-TBE-B	AWG#14-#20	3.30mm(Max)	Brass	Tin-Plated	5,000Pcs

Note:E-Stamping Before Plating

A  
B  
C  
F



# C6350 SERIES

6.35mm Pitch Wire to Wire and Wire to Board Connector

## C6350HF

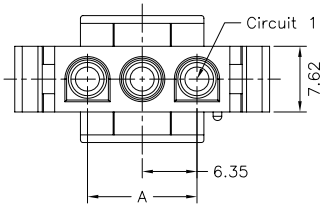
6.35mm Pitch Housing

### Reference Information:

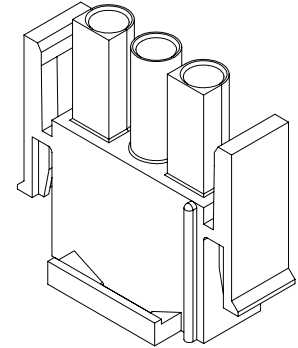
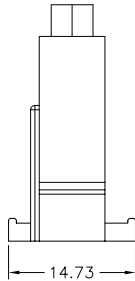
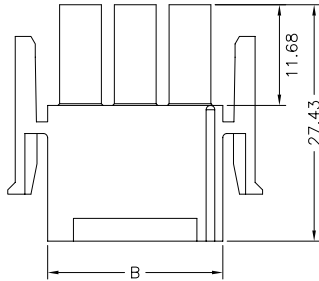
\*Material: Thermoplastic

\*Suitable H.R C6350F or C6350M Series Terminal

\*Mates with H.R C6350HM Series Housing or C6350 Series Wafer



C6350HF-XP							
①	X	X	X	XX	X	XX	X
①	②	③	④	⑤	⑥	⑦	
①	Halogen Free or Not						
②	Material						
③	Color						
④	Plating Code for Contacts						
⑤	Plating Code						
⑥	Option Code						
⑦	Packing Code						



A  
B  
C  
F

Dimensions:

Circuit No.	Dimensions	
	A	B
02	6.35	13.97
03	12.70	20.32
04	19.05	26.67
05	25.40	33.02
06	31.75	39.37
08	44.45	52.07

Unit:mm

## C6350HM

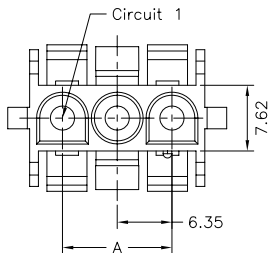
6.35mm Pitch Housing

### Reference Information:

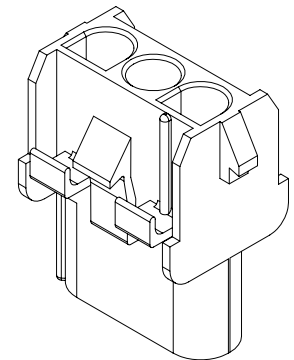
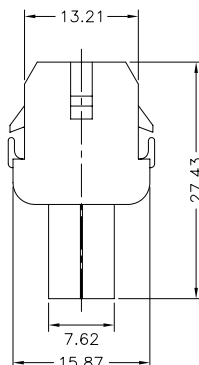
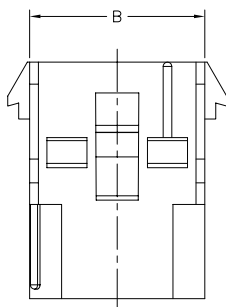
\*Material: Thermoplastic

\*Suitable H.R C6350F or C6350M Series Terminal

\*Mates with H.R C6350HF Series Housing



C6350HM-XP							
①	X	X	X	XX	X	XX	X
①	②	③	④	⑤	⑥	⑦	
①	Halogen Free or Not						
②	Material						
③	Color						
④	Plating Code for Contacts						
⑤	Plating Code						
⑥	Option Code						
⑦	Packing Code						



Dimensions:

Circuit No.	Dimensions	
	A	B
02	6.35	13.97
03	12.70	20.32
04	19.05	26.67
05	25.40	33.02
06	31.75	39.37
08	44.45	52.07

Unit:mm



# C6350 SERIES

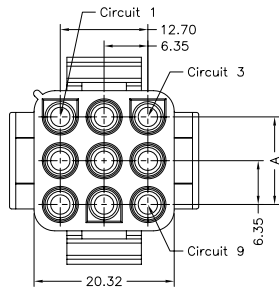
6.35mm Pitch Wire to Wire and Wire to Board Connector

## C6350HF-3

6.35mm Pitch Triple Row Housing

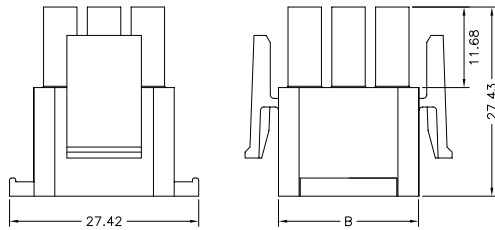
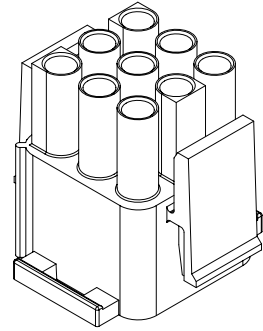
### Reference Information:

- \*Material: Thermoplastic
- \*Suitable H.R C6350F or C6350M Series Terminal
- \*Mates with H.R C6350HM Series Triple Row Housing or C6350 Series Triple Row Wafer



C6350HF-3XNP		X	X	X	XX	X	XX	X
①	②	③	④	⑤	⑥	⑦		

- ① Halogen Free or Not
- ② Material
- ③ Color
- ④ Plating Code for Contacts
- ⑤ Plating Code
- ⑥ Option Code
- ⑦ Packing Code



Dimensions:

Circuit No.	Dimensions	
	A	B
3X02	6.35	13.97
3X03	12.70	20.32
3X04	19.05	26.67
3X05	25.40	33.02

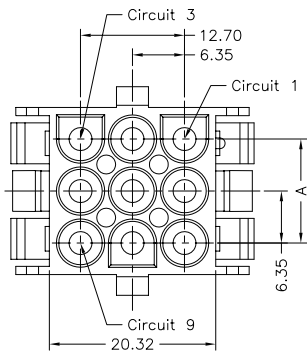
Unit:mm

## C6350HM-3

6.35mm Pitch Triple Row Housing

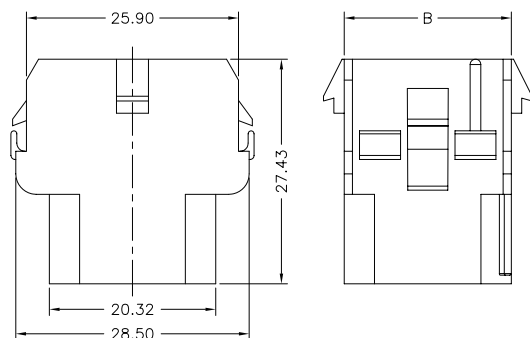
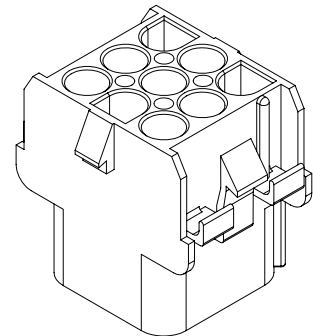
### Reference Information:

- \*Material: Thermoplastic
- \*Suitable H.R C6350F or C6350M Series Terminal
- \*Mates with H.R C6350HF Series Triple Row Housing



C6350HM-3XNP		X	X	X	XX	X	XX	X
①	②	③	④	⑤	⑥	⑦		

- ① Halogen Free or Not
- ② Material
- ③ Color
- ④ Plating Code for Contacts
- ⑤ Plating Code
- ⑥ Option Code
- ⑦ Packing Code



Dimensions:

Circuit No.	Dimensions	
	A	B
3X02	6.35	14.05
3X03	12.70	20.40
3X04	19.05	26.75
3X05	25.40	33.10

Unit:mm



# C6350 SERIES

6.35mm Pitch Wire to Wire and Wire to Board Connector

## C6350WV

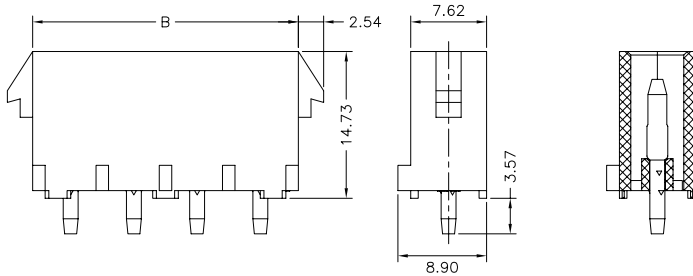
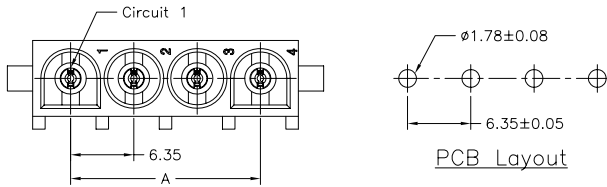
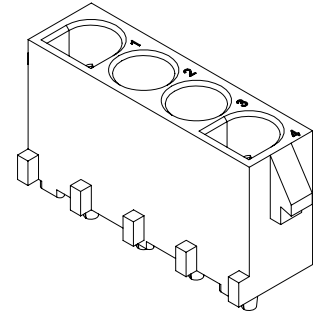
6.35mm Pitch 180° Wafer - Male Pin

### Reference Information:

\*Material: Pin: Copper Alloy

Wafer: Thermoplastic

\*Mates with H.R C6350HF Series Housing



C6350WV-XP	X	X	X	XX	X	M0	X
	①	②	③	④	⑤	⑥	⑦

① Halogen Free or Not  
② Material  
③ Color  
④ Plating Code for Contacts  
⑤ Plating Code  
⑥ Option Code: M0=Male Pin  
⑦ Packing Code

### Dimensions:

Circuit No.	Dimensions	
	A	B
02	6.35	13.97
03	12.70	20.32
04	19.05	26.67
05	25.40	33.02
06	31.75	39.37
08	44.45	52.07

Unit:mm

## C6350WV-F

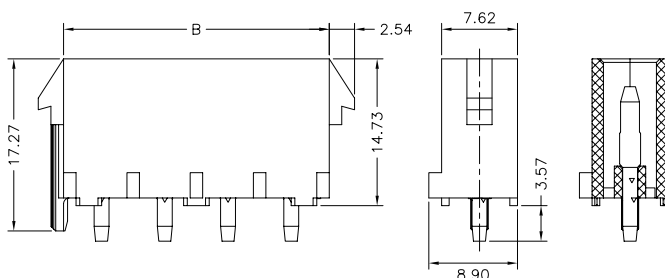
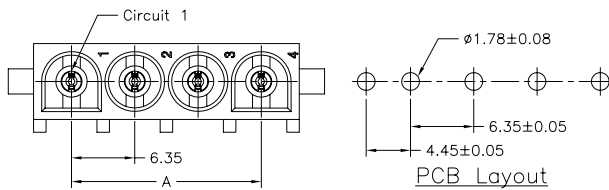
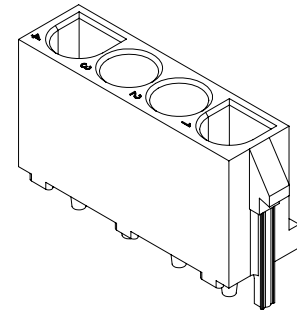
6.35mm Pitch 180° Wafer with Post - Male Pin

### Reference Information:

\*Material: Pin: Copper Alloy

Wafer: Thermoplastic

\*Mates with H.R C6350HF Series Housing



C6350WV-F-XP	X	X	X	XX	X	M0	X
	①	②	③	④	⑤	⑥	⑦

① Halogen Free or Not  
② Material  
③ Color  
④ Plating Code for Contacts  
⑤ Plating Code  
⑥ Option Code: M0=Male Pin  
⑦ Packing Code

### Dimensions:

Circuit No.	Dimensions	
	A	B
02	6.35	13.97
03	12.70	20.32
04	19.05	26.67
05	25.40	33.02
06	31.75	39.37
08	44.45	52.07

Unit:mm

A  
B  
C  
F





# C6350 SERIES

6.35mm Pitch Wire to Wire and Wire to Board Connector

## C6350WV-3

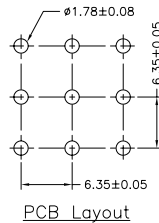
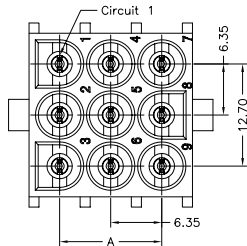
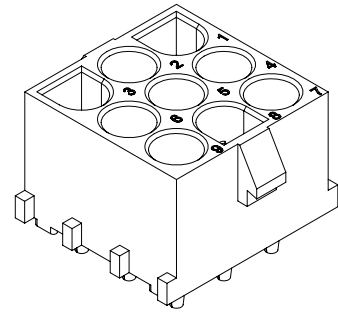
6.35mm Pitch 180° Triple Row Wafer - Male Pin

### Reference Information:

\*Material: Pin: Copper Alloy

Wafer: Thermoplastic

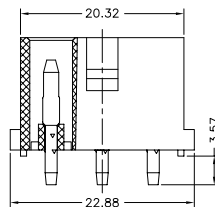
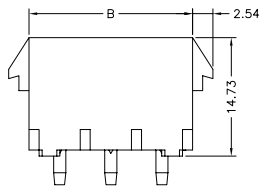
\*Mates with H.R C6350HF Series Triple Row Housing



C6350WV-3XNP X X X XX X M0 X

① ② ③ ④ ⑤ ⑥ ⑦

- ① Halogen Free or Not
- ② Material
- ③ Color
- ④ Plating Code for Contacts
- ⑤ Plating Code
- ⑥ Option Code: M0=Male Pin
- ⑦ Packing Code



### Dimensions:

Circuit No.	Dimensions	
	A	B
3X02	6.35	13.97
3X03	12.70	20.32
3X04	19.05	26.67
3X05	25.40	33.02

Unit:mm

## C6350WV-F-3

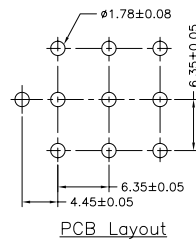
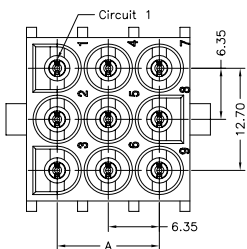
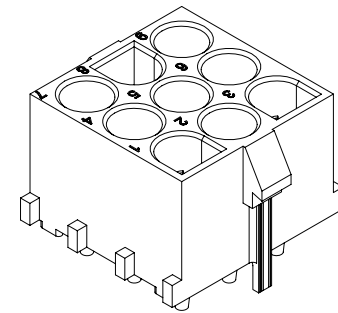
6.35mm Pitch 180° Triple Row Wafer with Post - Male Pin

### Reference Information:

\*Material: Pin: Copper Alloy

Wafer: Thermoplastic

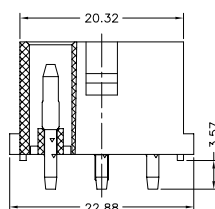
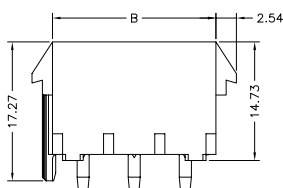
\*Mates with H.R C6350HF Series Triple Row Housing



C6350WV-F-3XNP X X X XX X M0 X

① ② ③ ④ ⑤ ⑥ ⑦

- ① Halogen Free or Not
- ② Material
- ③ Color
- ④ Plating Code for Contacts
- ⑤ Plating Code
- ⑥ Option Code: M0=Male Pin
- ⑦ Packing Code



### Dimensions:

Circuit No.	Dimensions	
	A	B
3X02	6.35	13.97
3X03	12.70	20.32
3X04	19.05	26.67
3X05	25.40	33.02

Unit:mm

A  
B  
C  
F



# C6350 SERIES

6.35mm Pitch Wire to Wire and Wire to Board Connector

## C6350WV

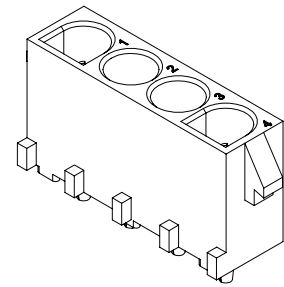
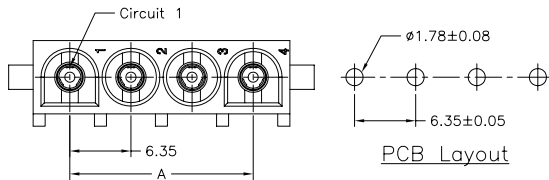
6.35mm Pitch 180° Wafer - Female Pin

### Reference Information:

\*Material: Pin: Copper Alloy

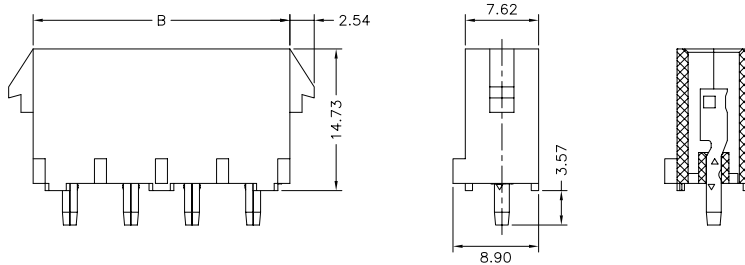
Wafer: Thermoplastic

\*Mates with H.R C6350HF Series Housing



C6350WV-XP X X X XX X F0 X  
① ② ③ ④ ⑤ ⑥ ⑦

- ① Halogen Free or Not
- ② Material
- ③ Color
- ④ Plating Code for Contacts
- ⑤ Plating Code
- ⑥ Option Code: F0=Female Pin
- ⑦ Packing Code



### Dimensions:

Circuit No.	Dimensions	
	A	B
02	6.35	13.97
03	12.70	20.32
04	19.05	26.67
05	25.40	33.02
06	31.75	39.37
08	44.45	52.07

Unit:mm

## C6350WV-F

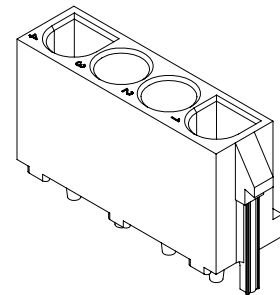
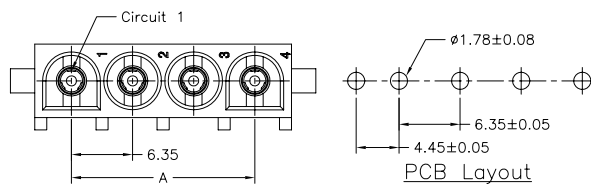
6.35mm Pitch 180° Wafer with Post - Female Pin

### Reference Information:

\*Material: Pin: Copper Alloy

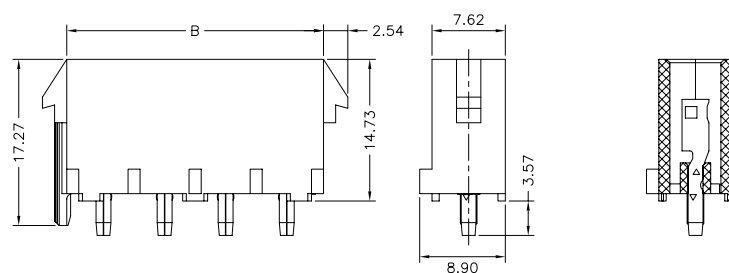
Wafer: Thermoplastic

\*Mates with H.R C6350HF Series Housing



C6350WV-F-XP X X X XX X F0 X  
① ② ③ ④ ⑤ ⑥ ⑦

- ① Halogen Free or Not
- ② Material
- ③ Color
- ④ Plating Code for Contacts
- ⑤ Plating Code
- ⑥ Option Code: F0=Female Pin
- ⑦ Packing Code



### Dimensions:

Circuit No.	Dimensions	
	A	B
02	6.35	13.97
03	12.70	20.32
04	19.05	26.67
05	25.40	33.02
06	31.75	39.37
08	44.45	52.07

Unit:mm

A  
B  
C  
F



# C6350 SERIES

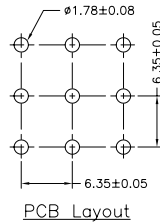
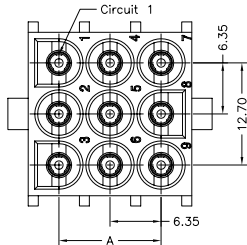
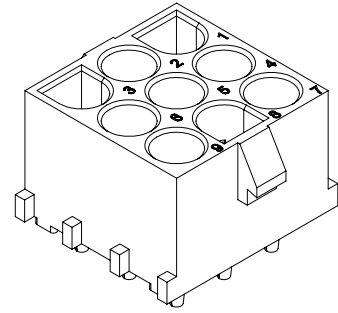
6.35mm Pitch Wire to Wire and Wire to Board Connector

## C6350WV-3

6.35mm Pitch 180° Triple Row Wafer - Female Pin

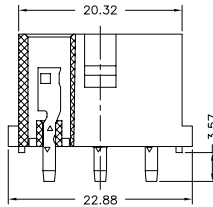
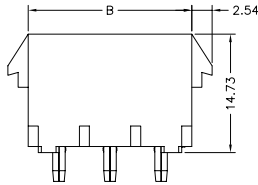
### Reference Information:

- \*Material: Pin: Copper Alloy  
Wafer: Thermoplastic
- \*Mates with H.R C6350HF Series Triple Row Housing



C6350WV-3XNP X X X XX X FO X  
① ② ③ ④ ⑤ ⑥ ⑦

- ① Halogen Free or Not
- ② Material
- ③ Color
- ④ Plating Code for Contacts
- ⑤ Plating Code
- ⑥ Option Code: F0=Female Pin
- ⑦ Packing Code



### Dimensions:

Circuit No.	Dimensions	
	A	B
3X02	6.35	13.97
3X03	12.70	20.32
3X04	19.05	26.67
3X05	25.40	33.02

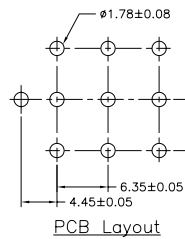
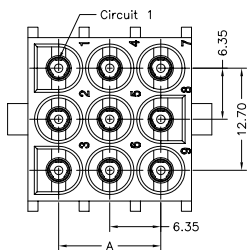
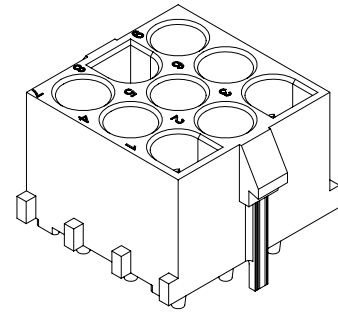
Unit:mm

## C6350WV-F-3

6.35mm Pitch 180° Triple Row Wafer with Post - Female Pin

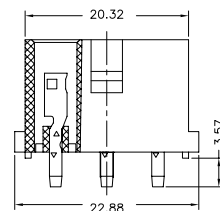
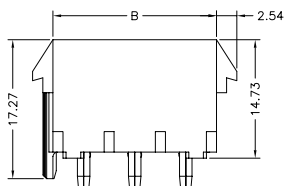
### Reference Information:

- \*Material: Pin: Copper Alloy  
Wafer: Thermoplastic
- \*Mates with H.R C6350HF Series Triple Row Housing



C6350WV-F-3XNP X X X XX X FO X  
① ② ③ ④ ⑤ ⑥ ⑦

- ① Halogen Free or Not
- ② Material
- ③ Color
- ④ Plating Code for Contacts
- ⑤ Plating Code
- ⑥ Option Code: F0=Female Pin
- ⑦ Packing Code



### Dimensions:

Circuit No.	Dimensions	
	A	B
3X02	6.35	13.97
3X03	12.70	20.32
3X04	19.05	26.67
3X05	25.40	33.02

Unit:mm

A  
B  
C  
F