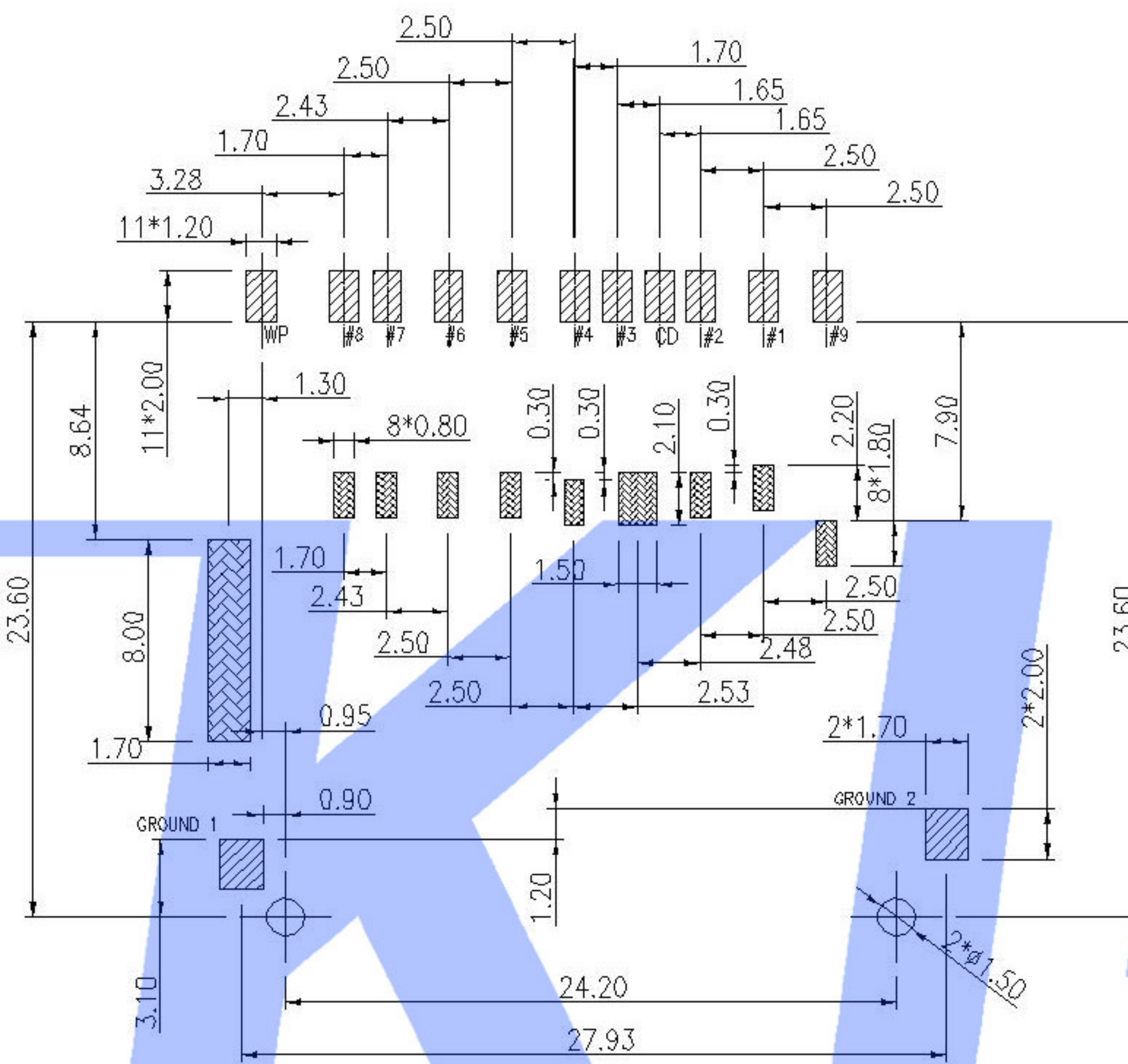


Recommend PCB Layout Drawing:  
(Unit:mm .X ± 0.15 .XX ±0.05 .XXX ± 0.02)



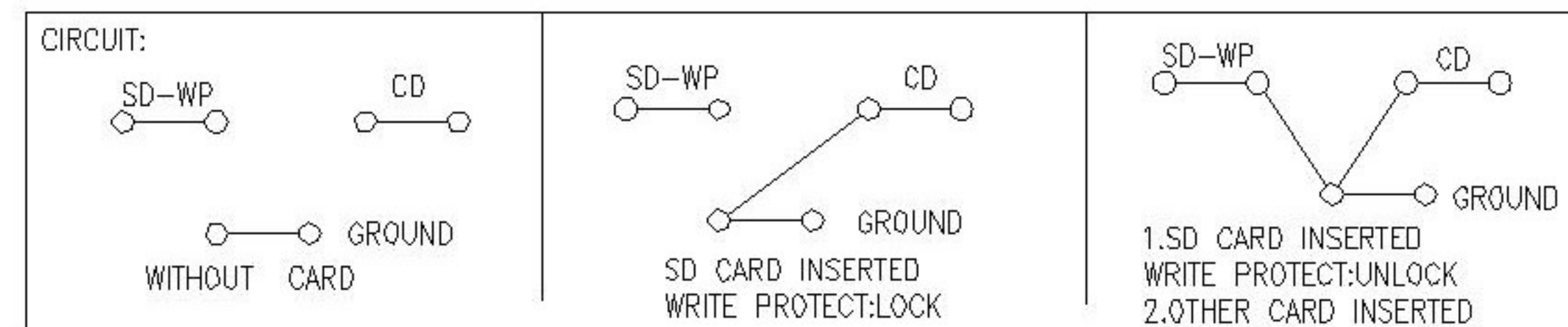
Welding area  
prohibited layout area

Electrical:

Current Rating :0.5mA AC/DC max.  
Voltage Rating :12V AC/DC  
Ambient Temperature Range :-20°C~+60°C  
Storage Temperature Range :-40°C~+70°C  
Ambient Humidity Range :95% R.H. Max.  
Contact Resistance:100mΩ max.  
Insulation Resistance:1000MΩmin./500VDC  
Mating Cycles:5 000 Insertions

PIN NO.	PIN NAME
#1	(CD/DAT3)
#2	(CMD)
#3	(VSS1)
#4	(VDD)
#5	(CLK)
#6	(VSS2)
#7	(DAT0)
#8	(DAT1)
#9	(DAT2)

ITEM	PAPT NAMF	QTY	MATERIAL	FINISHING
③	Shell	1	SUS	
②	Terminal	9	COPPER ALLOY	
①	Housing	1	HI-TEMP.PLASIC UL 94V-0	BLACK



MARK	DESCRIPTION	DATE	REVISED	APPROVED	UNSPECIFIED TOLERANCES	DSND	DATE	SCALE: N/A	MODEL TYPE: SD CARD CONN
ΔX					ANGLAR ±5°	DWN	DATE	VIEW:	PART NO.:
ΔX					L ≤ 4 ±0.2	CHKD	DATE	UNIT: mm	DWG NO.:
ΔX					4 < L ≤ 16 ±0.3	APPD	DATE	SIZE: A4	<b>XKSD-006</b>
					16 < L ≤ 63 ±0.4				WEIGHT
					L > 63 ±0.5				1.0g
									SHEET
									1/1
									REVISION
									A0

REVISIONS  
www.xk-dg.cn www.helloxkb.com www.helloxkb.cn

XKB INDUSTRIAL PRECISION CO.,LIMITED