



ORIENT

Photo coupler

Product Data Sheet

Part Number: OR-M304X/OR-M306X/OR-M308X

Customer: _____

Date: _____

SHENZHEN ORIENT COMPONENTS CO., LTD

Block A 3rd Floor No.4 Building, Tian'an Cyber Park, Huangge Rd, LongGang Dist, Shenzhen, GD

TEL: 0755-29681816

FAX: 0755-29681200

www.orient-opto.com

1. Features

- (1) High isolation voltage between input and output (Viso:3750 V rms)
- (2) 4pin zero-cross optoisolators triac driver output
- (3) High repetitive peak off-state voltage VDRM :
- (4) 304X: Max. 400V,306X: Max. 600V,308X: Max. 800V
- (5) High critical rate of rise of off-state voltage dv/dt : MIN. 1000 V / us
- (6) Tape and reel packaging.
- (7) Operating temperature -40 °C to +110 °C
- (8) Safety approval

UL approved(No.E323844)

VDE approved(No.40029733)

CQC approved (No.CQC09001029446)

- (9) In compliance with RoHS, REACH standards
- (10) MSL Class I



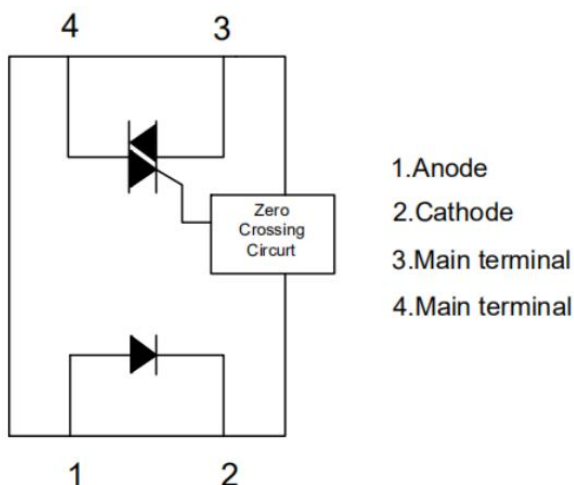
2. Description

The OR-M304X,OR-M306X,OR-M308X each consist of a GaAs infrared emitting diode optically coupled to a monolithic silicon zero voltage crossing photo triac.They are designed for use with a discrete power triac in the interface of logic systems , such as solid-state relays, industrial controls, motors, solenoids and consumer appliances.

3. Application Range

- AC Motor Drives
- AC Motor Starters
- Static power switch
- Lighting Controls
- Solenoid/Valve Controls
- Solid State Relays
- Temperature Controls

4. Functional Diagram



5. Absolute Maximum Ratings (Ta=25°C)

Parameter		Symbol	Rated Value	Unit	
Input	Forward Current	I_F	50	mA	
	Junction Temperature	T_J	125	°C	
	Reverse Voltage	V_R	6	V	
	Power Dissipation	P	100	mW	
Output	Off-State Output Terminal Voltage	OR-M304X	V_{DRM}	400	V
		OR-M306X		600	
		OR-M308X		800	
	On state RMS current		$I_{T(RMS)}$	100	mA(RMS)
	Junction Temperature		T_J	125	°C
	Collector Power Dissipation		P_C	300	mW
	Total Power Dissipation		P_{tot}	330	mW
*1 Insulation Voltage		V_{iso}	3750	Vrms	
Working Temperature		T_{opr}	-40 ~ + 110	°C	
Deposit Temperature		T_{stg}	-55 ~ + 125		
*2 Soldering Temperature		T_{sol}	260		

Notes:

*1 AC for 1 minute, R.H.= 40 ~ 60% R.H. In this test, pins 1, 2&3 are shorted together, and pins 4, 6 are shorted together.

* 2 For 10 seconds

6. Electrical Optical Characteristics at Ta=25°C

Parameter		Symbol	Min	Typ.*	Max	Unit	Condition								
Input	Forward Voltage	V_F	---	1.2	1.6	V	$I_F=10\text{mA}$								
	Reverse Current	I_R	---	---	5	μA	$V_R=6\text{V}$								
Output	*1.Peak Blocking Current, Either Direction	I_{DRM}	---	10	100	nA	$V_{DRM} = \text{Rated } V_{DRM}$								
	Inhibit Voltage (MT1-MT2 voltage above which device will not trigger)	V_{INH}	---	---	20	V	$I_F = \text{Rated } I_{FT}$								
	Peak On-State Voltage, Either Direction	V_{TM}	---	1.7	3.0	V	$I_{TM}=100\text{mA}$ Peak								
	*2.Critical rate of Rise of Off-State Voltage	dv/dt	1000	---	---	V/ μs	$V_{in}=240\text{Vrms}$								
Transfer Characteristics	*3.Led Trigger Current, Current Required to Latch Output, Either Direction	OR-M3040 OR-M3060 OR-M3080	I_{FT}	---	---	30	mA	Main Terminal Voltage = 3V							
		OR-M3041 OR-M3061 OR-M3081							15						
		OR-M3042 OR-M3062 OR-M3082							10						
		OR-M3043 OR-M3063 OR-M3083							5						
		OR-M3044 OR-M3064 OR-M3084							3						
		Holding Current, Either Direction							I_H	---	280	---	μA		
		ZERO CROSSING							Leakage in Inhibited State	$IDRM2$	---	---	500	μA	$I_F = \text{Rated } I_{FT}$, Rated V_{DRM} , Off State

*1. Test voltage must be applied within dv/dt rating.

*2. This is static dv/dt. Commutating dv/dt is a function of the load-driving thyristor(s) only.

*3. All devices are guaranteed to trigger at an I_F value less than or equal to max I_{FT} . Therefore, recommended operating I_F lies between max I_{FT} , 30 mA for OR-M3040 and OR-M3060 and OR-M3080, 15 mA for OR-M3041 and OR-M3061 and OR-M3081, 10 mA for OR-M3042 and OR-M3062 and OR-M3082, 5 mA for OR-M3043 and OR-M3063 and OR-M3083, 3 mA for OR-M3044, OR-M3064 and OR-M3084, and absolute max I_F (50mA).



7. Order Information

Part Number

OR-M304X-W-Y-Z

Or **OR-M306X-W-Y-Z**

Or **OR-M308X-W-Y-Z**

Note

X = Part Number(0,1,2,3 or 4)

W = Tape and reel option (TP or TP1).

Y = 'V' code for VDE safety (This options is not necessary).

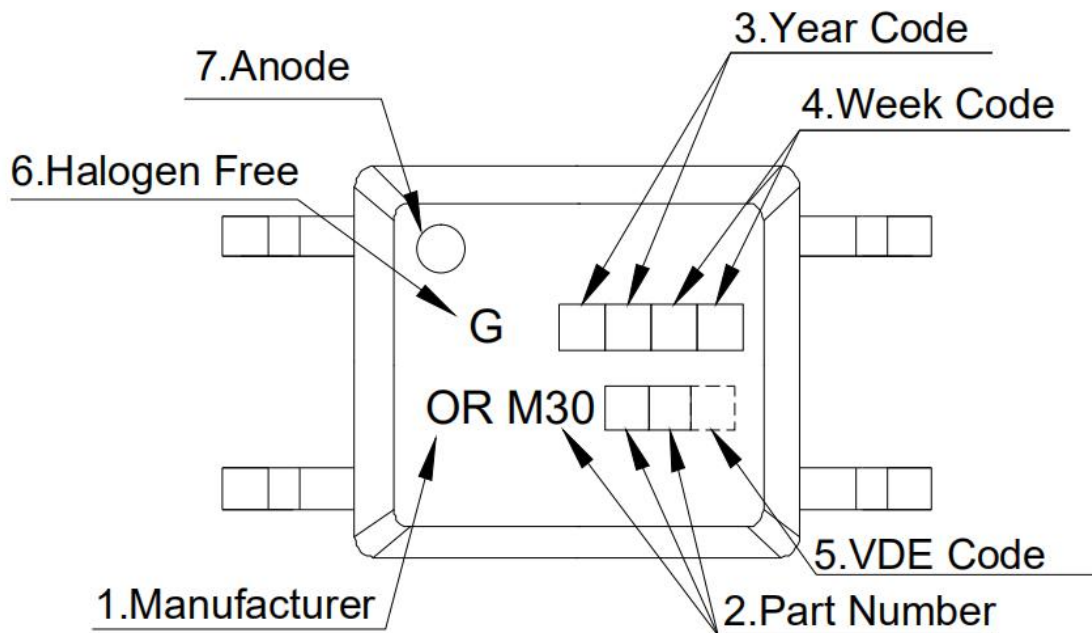
Z = 'G' code for Halogen free.

* VDE Code can be selected.

* Halogen Free Code can be selected.

Option	Description	Packing quantity
TP	Surface mount lead form (low profile) + TP tape & reel option	3000 units per reel
TP1	Surface mount lead form (low profile) + TP1 tape & reel option	3000 units per reel

8. Naming Rule

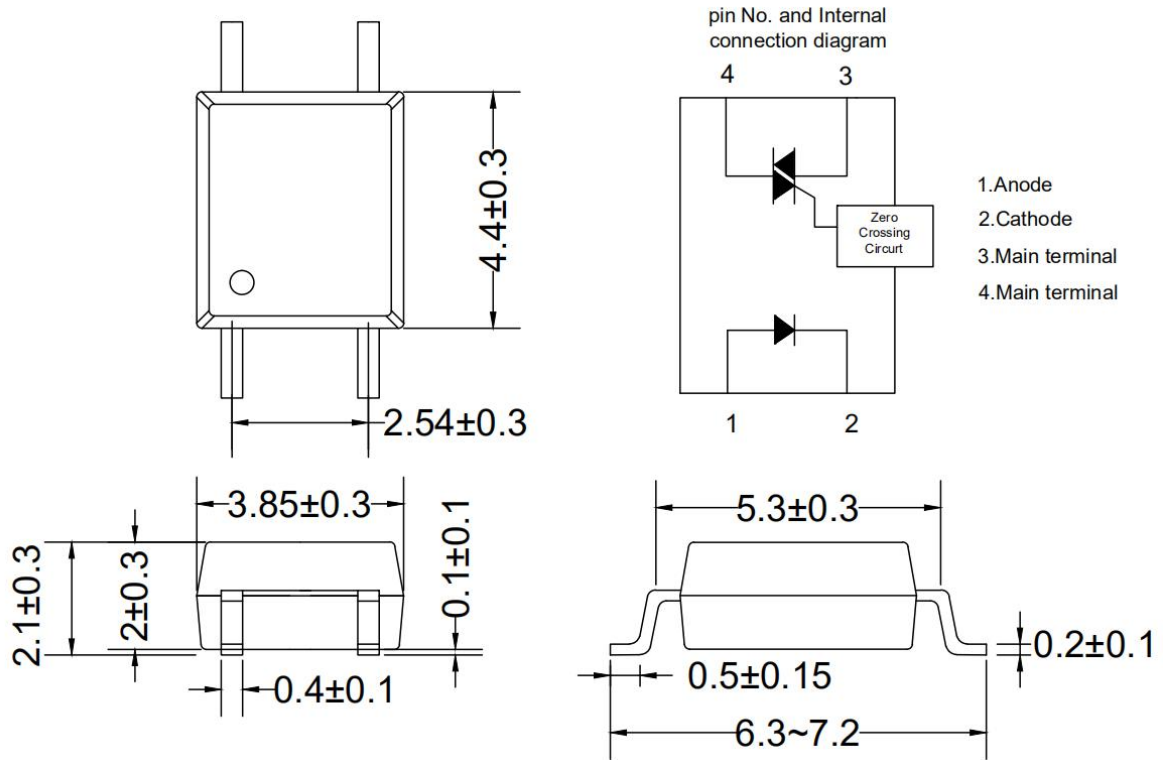


1. Manufacturer : ORIENT.
2. Part Number : M30 .
3. Year Code : '21' means '2021' and so on.
4. Week Code : 01 means the first week, 02 means the second week and so on.
5. VDE Code .
6. HF Code 'G': Halogen Free.
7. Anode.

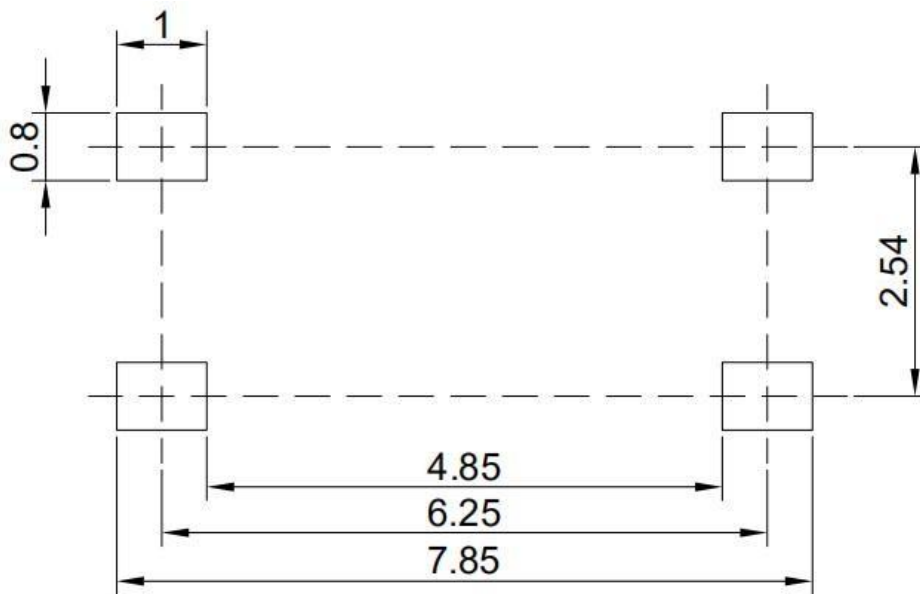
* VDE Code can be selected.

9. Package Dimension

OR-M30XX



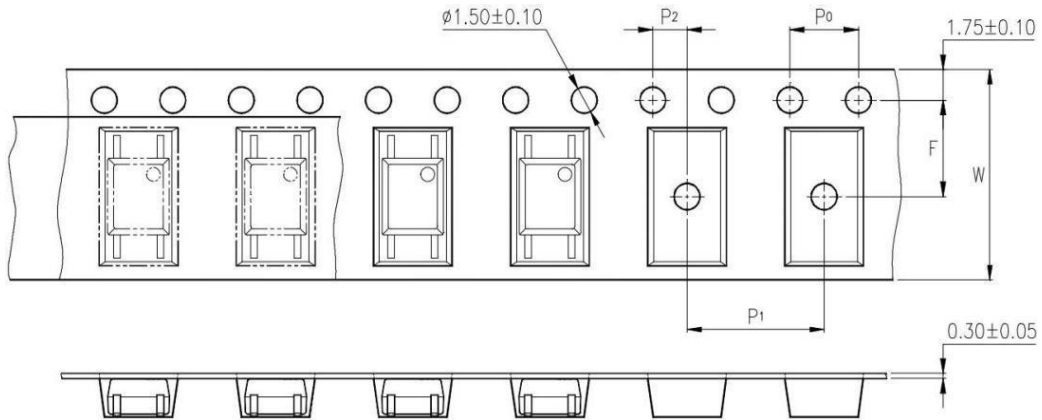
10. Recommended Foot Print Patterns (Mount Pad)



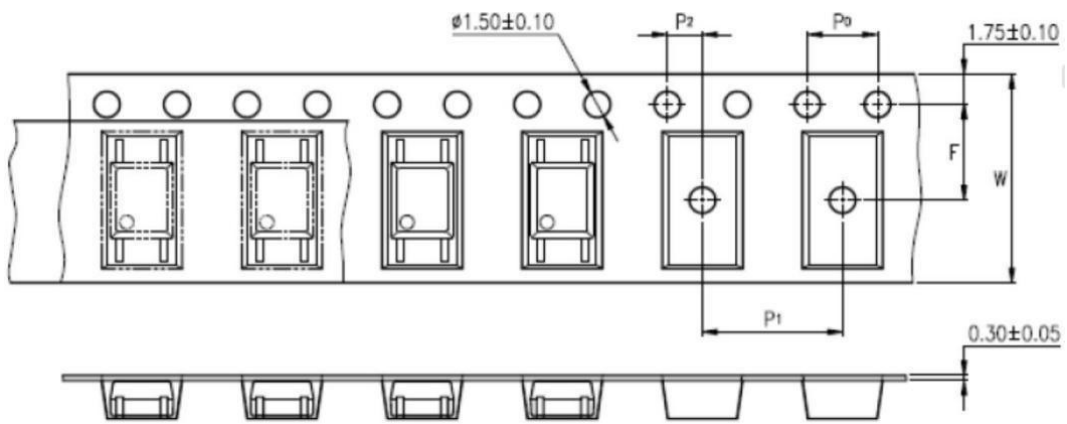
unit: mm

11. Taping Dimensions

(1)OR-M30XX-TP



(2)OR-M30XX-TP1



Description	Symbol	Dimension in mm (inch)
Tape wide	W	12±0.3 (0.472)
Pitch of sprocket holes	P0	4±0.1 (0.157)
Distance of compartment	F	5.5±0.1 (0.217)
	P2	2±0.1 (0.079)
Distance of compartment to compartment	P1	8±0.1 (0.315)

Package Type	TP/TP1
Quantities(pcs)	3000

12. Package Dimension

(1) package dimension

Packing Information	
Packing type	Reel type
Tape Width	12mm
Qty per Reel	3,000pcs
Small box (inner) Dimension	345*345*45mm
Large box (Outer) Dimension	480x360x360mm
Max qty per small box	6,000pcs
Max qty per large box	60,000pcs

(2)Packing Label Sample



Note:

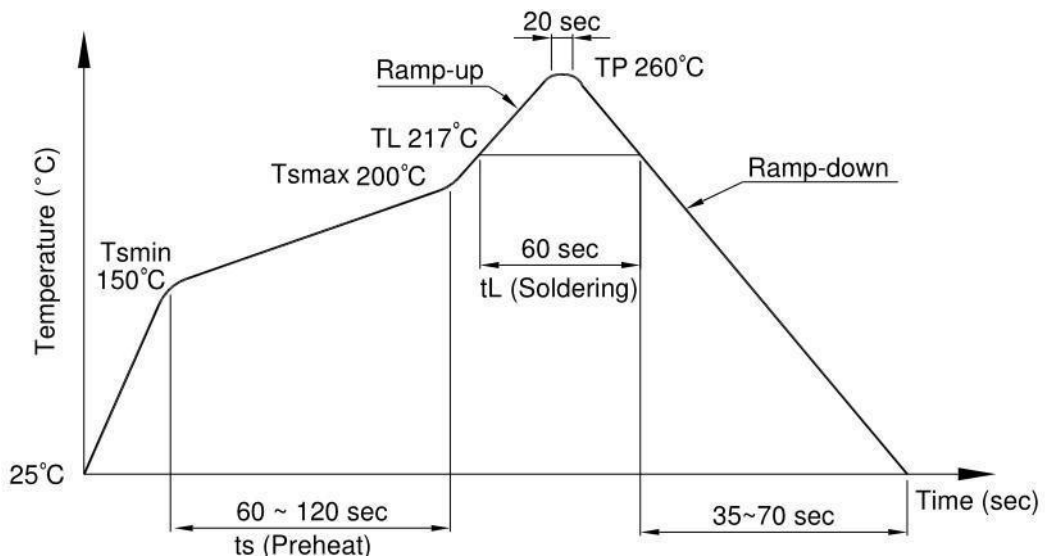
1. P/N :Contents with "Order Information" in the specification.
2. LOT NO : The production lot.
3. BATCH : The Electrical rank.
4. Quantity :Packaging quantity.
5. Product Data :Date of manufacture.

13. Temperature Profile Of Soldering

(1).IR Reflow soldering (JEDEC-STD-020C compliant)

One time soldering reflow is recommended within the condition of temperature and time profile shown below. Do not solder more than three times.

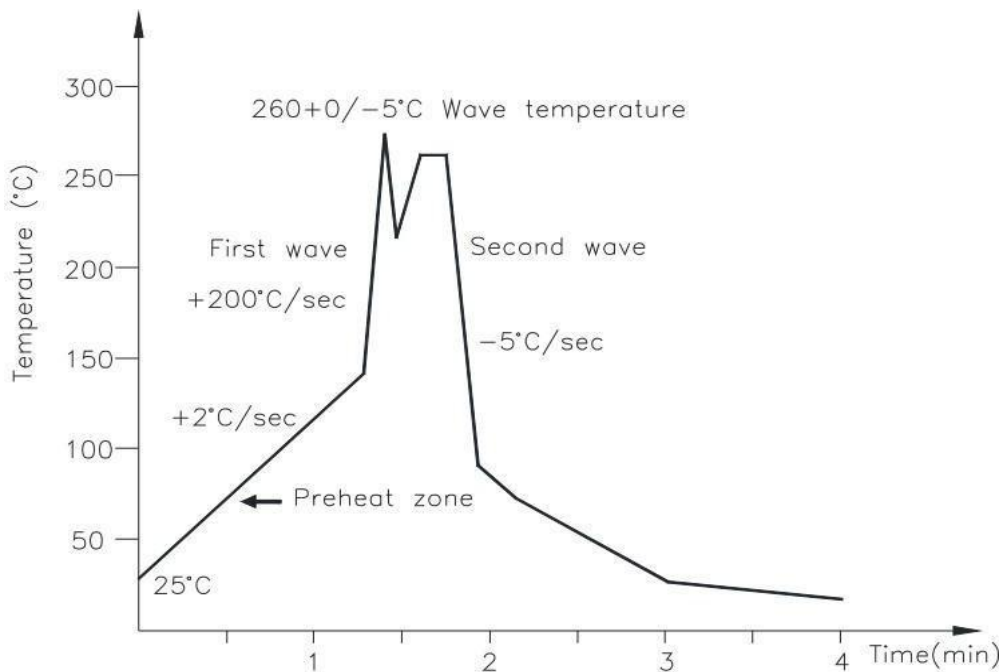
Profile item	Conditions
Preheat - Temperature Min (T Smin) - Temperature Max (T Smax) - Time (min to max) (ts)	150°C 200°C 90±30 sec
Soldering zone - Temperature (TL) - Time (t L)	217°C 60 sec
Peak Temperature	260°C
Peak Temperature time	20 sec
Ramp-up rate	3°C / sec max.
Ramp-down rate from peak temperature	3~6°C / sec
Reflow times	≤3



(3) Wave soldering (JEDEC22A111 compliant)

One time soldering is recommended within the condition of temperature.

Temperature	260+0/-5°C
Time	10 sec
Preheat temperature	5 to 140°C
Preheat time	30 to 80 sec



(4) Hand soldering by soldering iron

Allow single lead soldering in every single process. One time soldering is recommended.

Temperature	380+0/-5°C
Time	3 sec max

14. CHARACTERISTICS CURVES (TYPICAL PERFORMANCE)

Fig.1 Forward current vs Ambient temperature

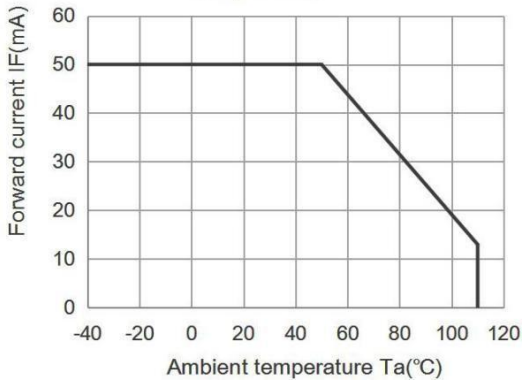


Fig.2 On-state current ITM (A) vs Ambient temperature

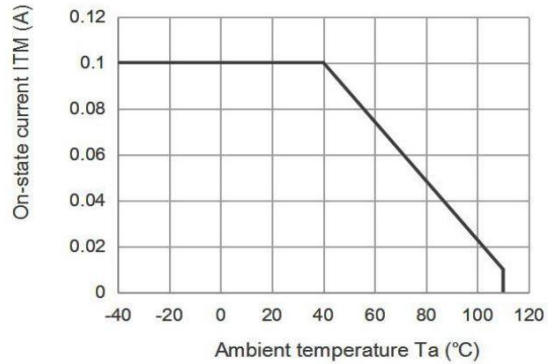


Fig.3 Minimum Trigger Current vs. Ambient temperature

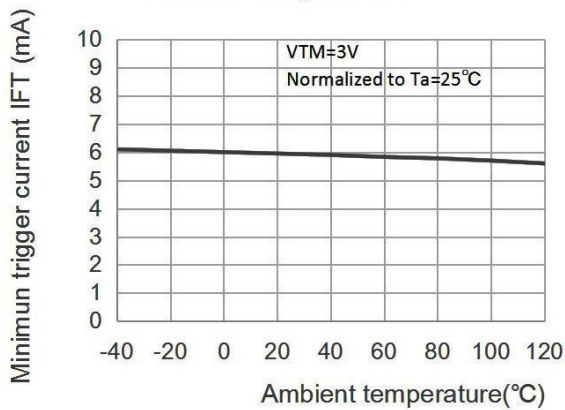


Fig.4 Forward current vs. Forward voltage

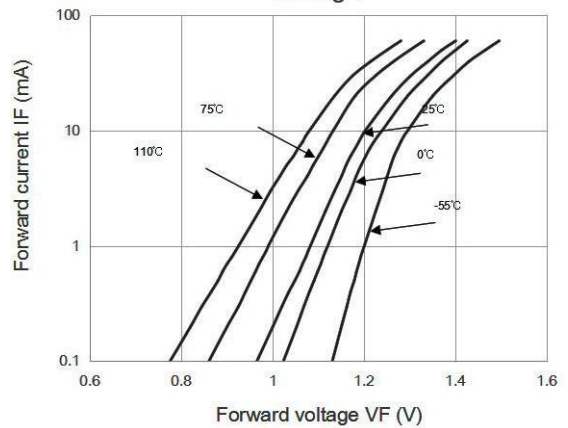


Fig.5 On-state voltage vs. Ambient temperature

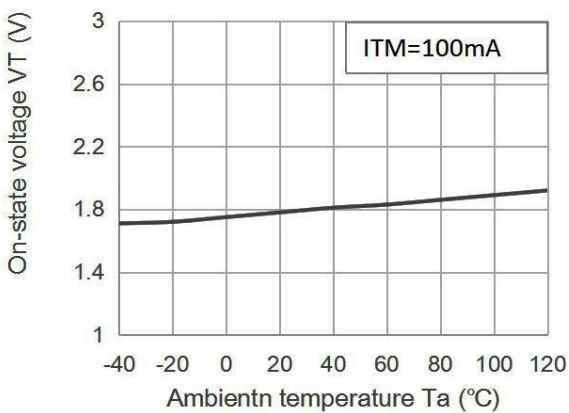


Fig.6 Holding current vs. Ambient temperature

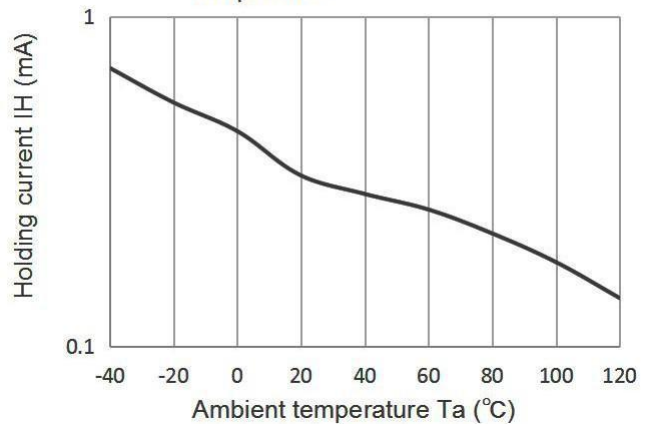


Fig.7 Repetitive peak off-state current vs. Temperature

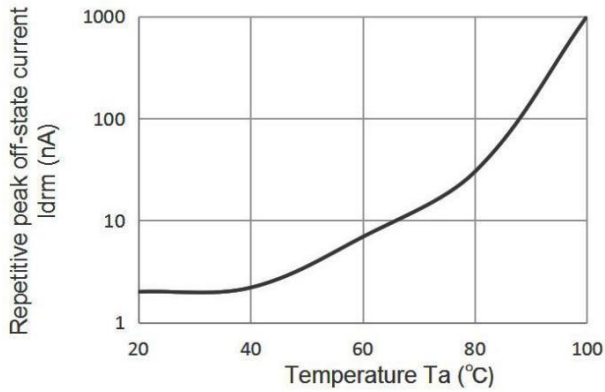


Fig.8 On-state current vs. On-state voltage

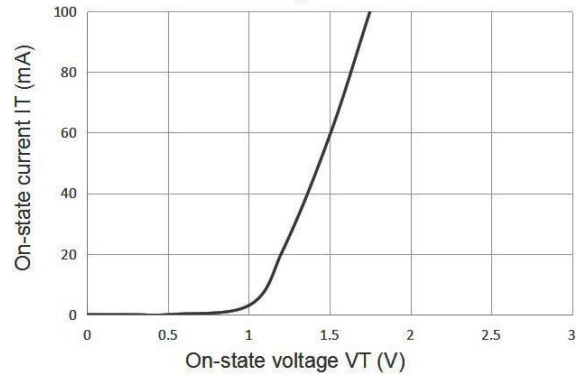


Fig9. Basic Operation Circuit Medium/High Power Triac Drive Circuit

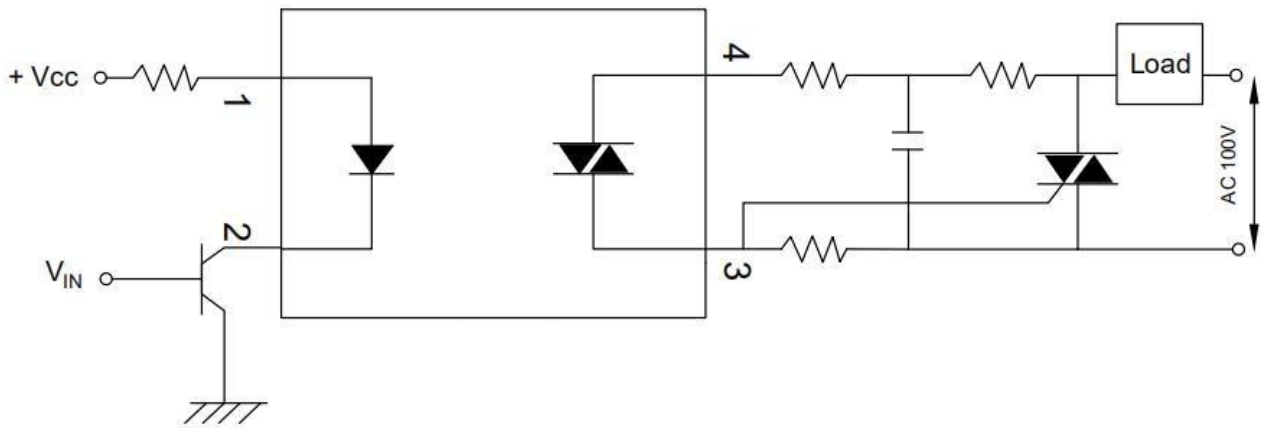
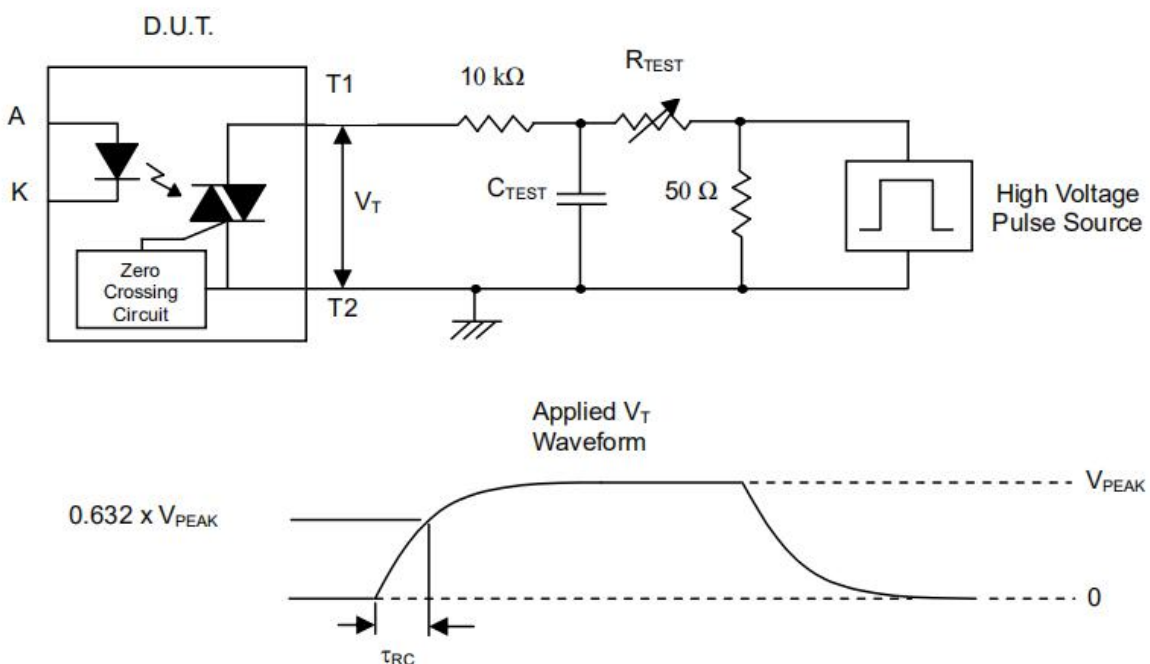


Fig10. Static dv/dt Test Circuit & Waveform



Measurement Method

The high voltage pulse is set to the required V_{PEAK} value and applied to the D.U.T. output side through the RC circuit above. LED current is not applied. The waveform V_T is monitored using a x100 scope probe. By varying R_{TEST} , the dv/dt (slope) is increased, until the D.U.T. is observed to trigger (waveform collapses). The dv/dt is then decreased until the D.U.T. stops triggering. At this point, τ_{RC} is recorded and the dv/dt calculated.

$$dv/dt = \frac{0.632 \times V_{PEAK}}{\tau_{RC}}$$

$$dv/dt = \frac{0.632 \times V_{PEAK}}{\tau_{RC}}$$

For example, $V_{PEAK} = 600V$ for EL306X series. The dv/dt value is calculated as follows:

$$dv/dt = \frac{0.63 \times 600}{\tau_{RC}} = \frac{378}{\tau_{RC}}$$