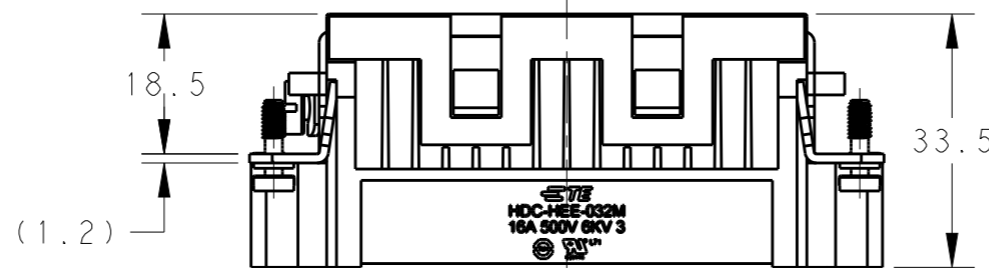
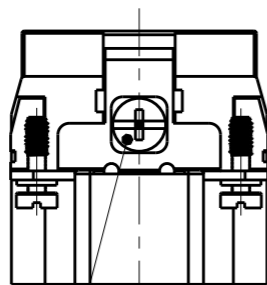
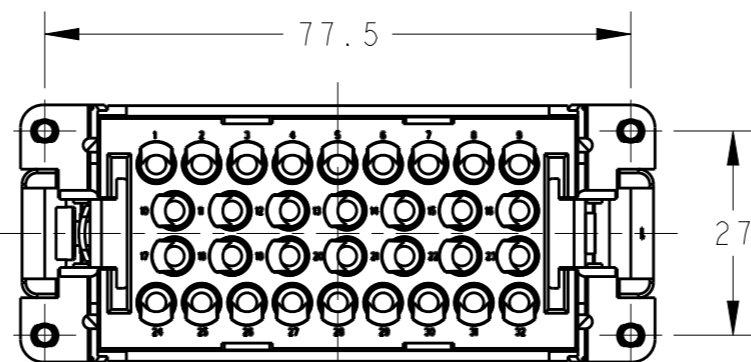
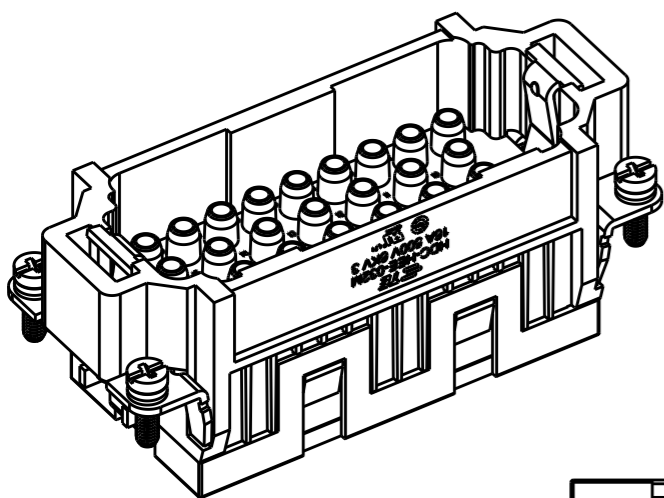


THIS DRAWING IS UNPUBLISHED. RELEASED FOR PUBLICATION 20  
 © COPYRIGHT 20 BY - ALL RIGHTS RESERVED.

REVISIONS

P	LTR	DESCRIPTION	DATE	DWN	APVD
A2	ECR-15-004309		18MAR2015	DW	CW
A3	ECR-15-007632		25MAY2015	DW	CW
B	ECR-15-014907		14OCT2015	DL	CW
B1	ECR-16-015492		09NOV2016	QY	CW



NOTES:

- TECHNICAL CHARACTERISTICS:  
 INSULATION MATERIAL: PC  
 RATED VOLTAGE: 500 V  
 RATED CURRENT: 16 A  
 INSULATION RESISTANCE:  $\geq 400M\Omega$   
 RATED IMPULSE VOLTAGE: 6 KV  
 POLLUTION DEGREE: 3  
 FLAMMABILITY: UL94V-0  
 MATING CYCLES: 500 CYCLES  
 OPERATION TEMPERATURE:  $-40-+125^{\circ}C$   
 WIRE RANGE: 0.14-4 mm<sup>2</sup> (26-12 AWG)  
 CONTACT TYPE: CRIMP CONTACT
- CONTACT NEED TO BE ORDERED SEPARATELY.  
 (ORDER No. REFER TO DRAWING: T20300X10XX000)

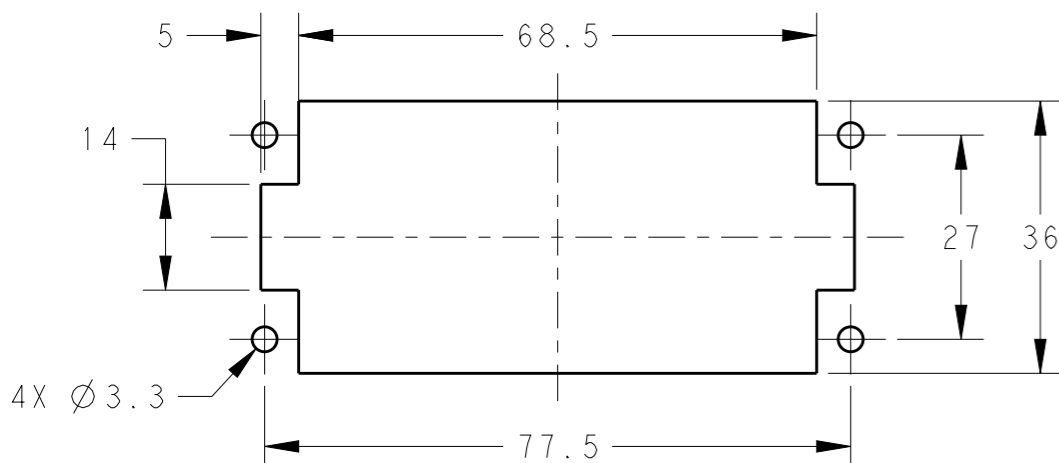
M4 SCREW, RECOMMENDED  
 TIGHTENING TORQUE 1.2Nm  
 M4螺丝, 推荐锁紧力矩1.2Nm

4X M3 SCREW, RECOMMENDED  
 TIGHTENING TORQUE 0.5Nm  
 4X M3螺丝, 推荐锁紧力矩0.5Nm

注释:

- 技术参数:  
 绝缘材料: PC  
 额定电压: 500V  
 额定电流: 16A  
 绝缘电阻:  $\geq 400M\Omega$   
 额定脉冲电压: 6 KV  
 污染等级: 3  
 阻燃等级: UL94V-0  
 插拔次数: 500次  
 工作温度:  $-40-+125^{\circ}C$   
 接线范围: 0.14-4 mm<sup>2</sup> (26-12 AWG)  
 接线类型: 冷压接
- 端子需要单独订购。  
 (订货号参考图面: T20300X10XX000)

PANEL CUT FOR INSERTS FOR USE  
 WITHOUT HOODS/ HOUSINGS  
 不使用防护外壳时芯件的安装开孔图



TYPE-1, T2050322101-000, WITH TE LOGO  
 类型-1, T2050322101-000, 带TE LOGO

THIS DRAWING IS A CONTROLLED DOCUMENT.		DWN 11JUN2014 David Wang		TE Connectivity	
DIMENSIONS: mm		CHK 11JUN2014 Chris Wang			
TOLERANCES UNLESS OTHERWISE SPECIFIED:		APVD 11JUN2014 Xiang Xu		NAME HEE-032-M	
0 PLC ±-		PRODUCT SPEC 108-106137		SIZE	
1 PLC ±-		APPLICATION SPEC 114-106137		CAGE CODE	
2 PLC ±--		WEIGHT -		DRAWING NO T2050322101000	
3 PLC ±-		Customer Drawing		RESTRICTED TO -	
4 PLC ±-		SCALE 1:1		SHEET 1 OF 2	
ANGLES ±-		REV B1			
FINISH -					

THIS DRAWING IS UNPUBLISHED.

RELEASED FOR PUBLICATION

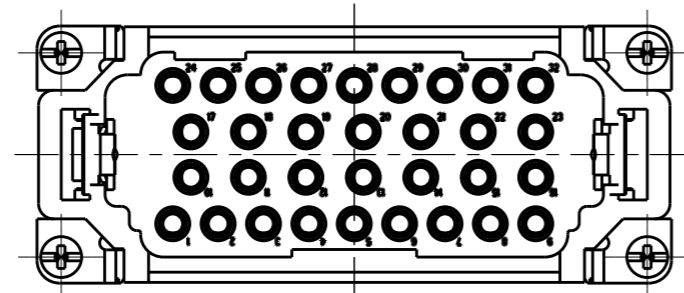
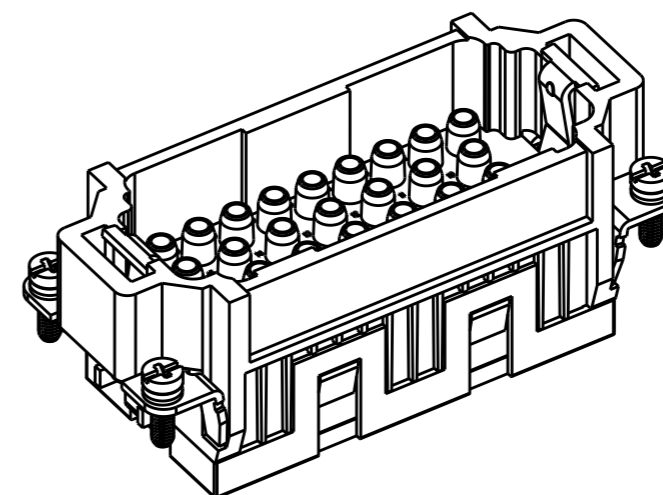
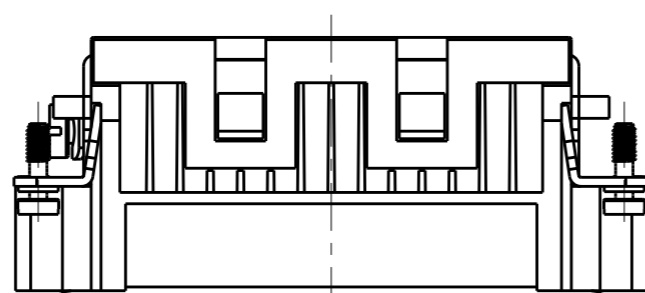
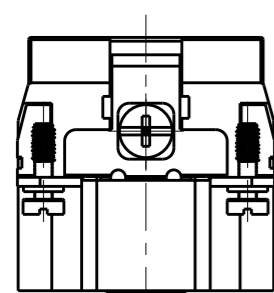
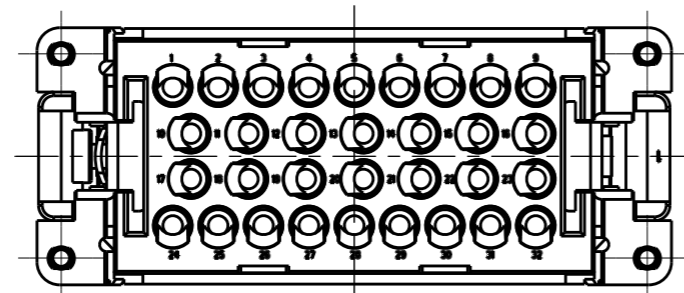
20

© COPYRIGHT 20 BY -

ALL RIGHTS RESERVED.

REVISIONS

P	LTR	DESCRIPTION	DATE	DWN	APVD
-		SEE SHEET 1	-	-	-



NOTE:  
ALL SPEC REFER TO TYPE 1

注释:  
所有产品规范参照 TYPE 1

TYPE-2, T2050322101-001, WITH STAINLESS STEEL SCREW, WITHOUT LOGO  
类型-2, T2050322101-001, 带不锈钢螺丝, 无LOGO

T2050322101-001	HEE-032-M	HEE-032 MALE INSERT, WITH STAINLESS STEEL SCREW, WITHOUT LOGO HEE-032 公插, 带不锈钢螺丝, 无LOGO	TYPE-2 类型-2
T2050322101-000	HEE-032-M	HEE-032 MALE INSERT HEE-032 公插	TYPE-1 类型-1
PART NUMBER 料号	PART DESCRIPTION 描述		TYPE 类型

THIS DRAWING IS A CONTROLLED DOCUMENT.		DWN 11JUN2014 David Wang		
DIMENSIONS: mm		CHK 11JUN2014 Chris Wang		
TOLERANCES UNLESS OTHERWISE SPECIFIED:		APVD 11JUN2014 Xiang Xu	NAME HEE-032-M	
0 PLC ±-		PRODUCT SPEC 108-106137	SIZE CAGE CODE DRAWING NO RESTRICTED TO	
1 PLC ±-		APPLICATION SPEC 114-106137	A300779 © T2050322101000 -	
2 PLC ±--		WEIGHT -	SCALE 1:1 SHEET 2 OF 2 REV B1	
3 PLC ±-		Customer Drawing		
4 PLC ±-				
ANGLES ±-				
FINISH				
-				
-				