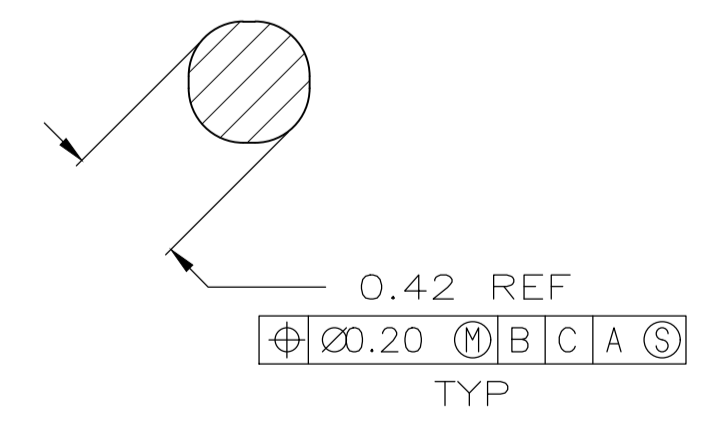
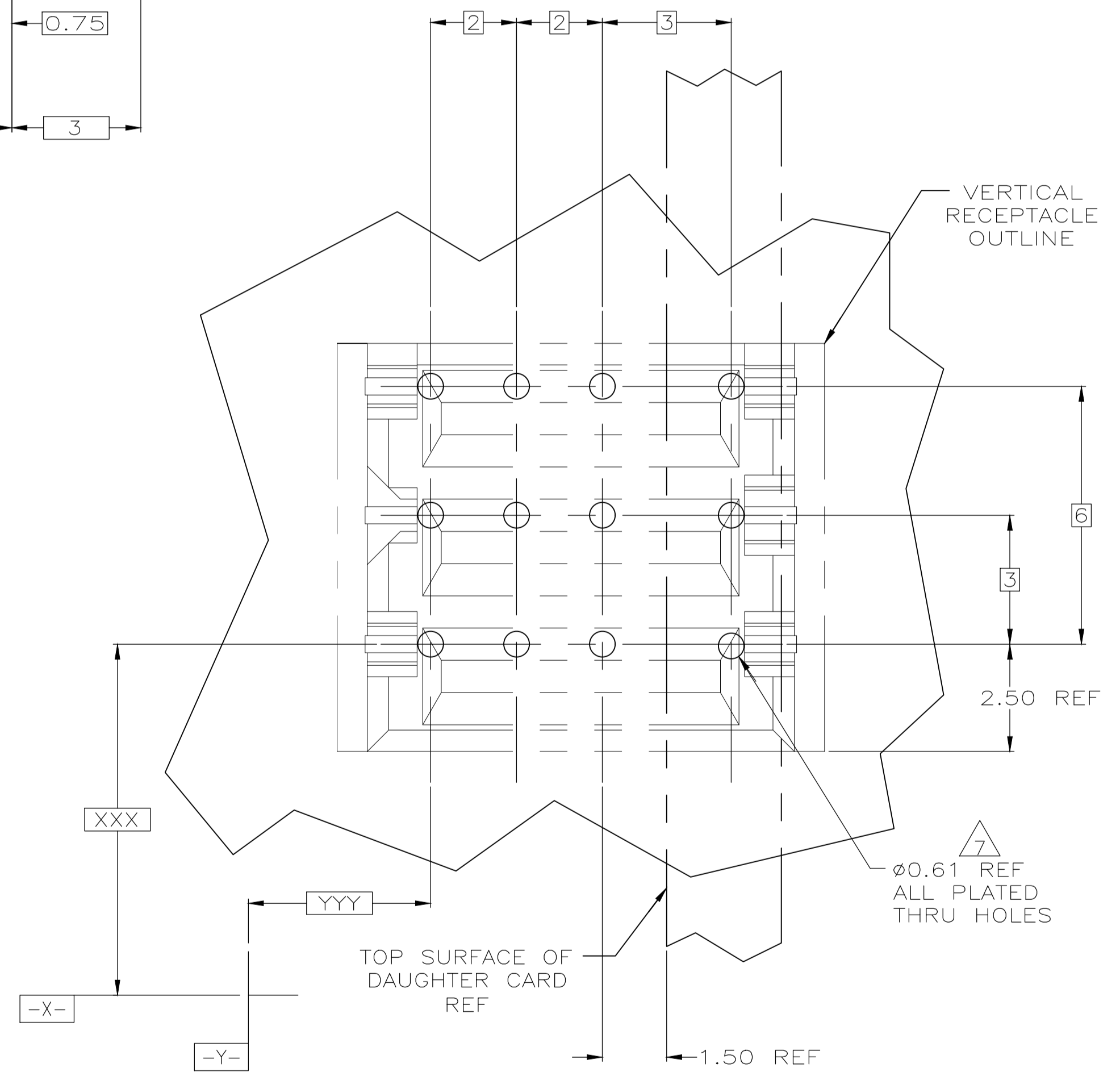
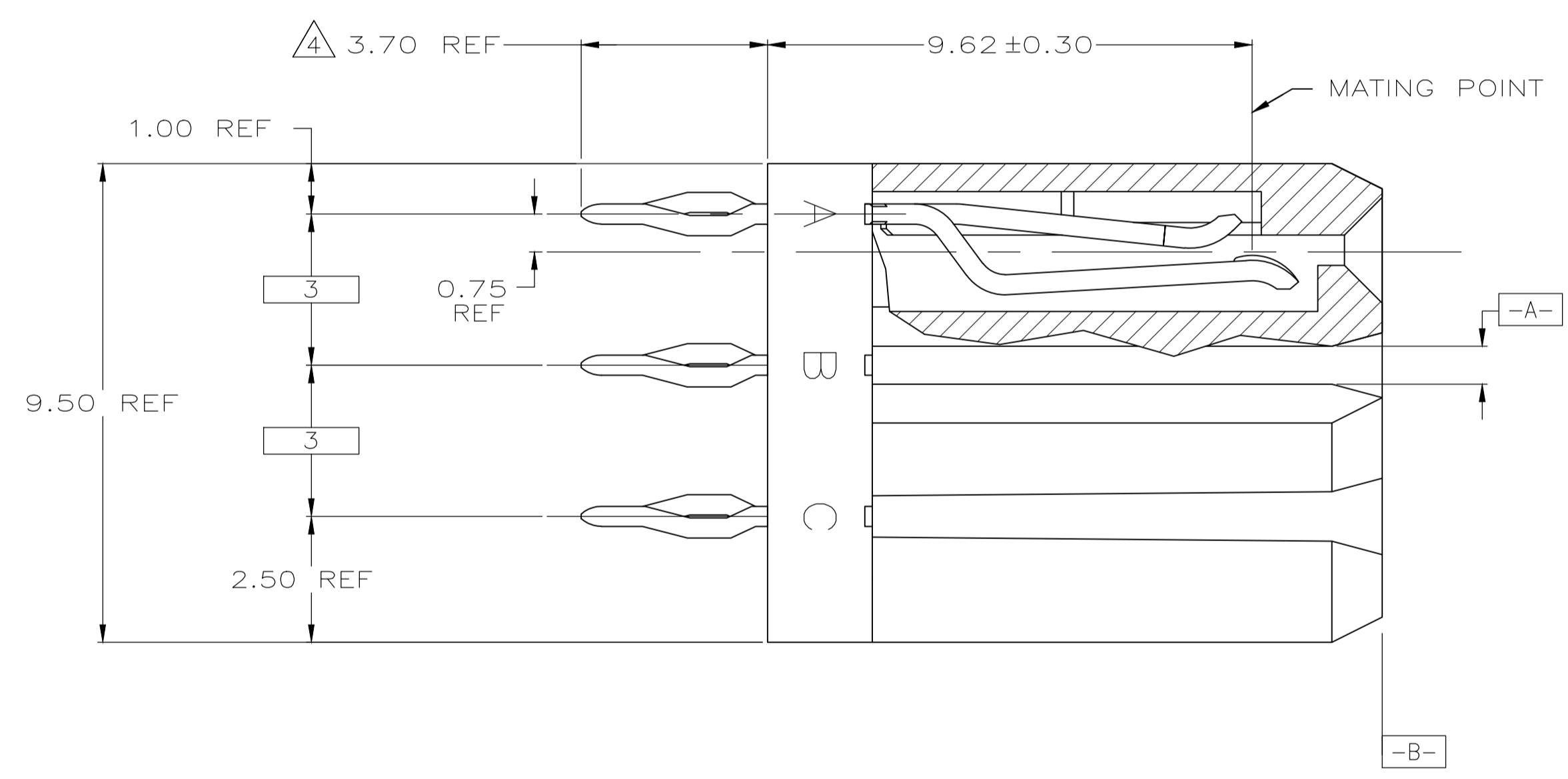


- 1 MATERIAL: HOUSING: POLYESTER. COLOR: GRAY. 94V-0. CONTACT: PHOSPHOR BRONZE.
- 2 FINISH: IN ACCORDANCE WITH PRODUCT SPECIFICATION 108-1651, GOLD PLATING OR EQUIVALENT PLATING ON PRODUCT CONTACT MATING AREA, AND MATTE TIN PLATING ON COMPLIANT PIN AREA, ALL OVER MATTE NICKEL UNDERPLATED. DETAIL PLEASE REFER TO PRODUCT SPECIFICATION 108-1651.
- 3 FINISH: CONTACT LUBRICATION WITH BELLCORE APPROVED LUBRICANT. TECHNICAL REFERENCE: TR-NWT-001217 ISSUE 1, SEPT 1992.
- 4 TOLERANCE TO BE ±0.28 AFTER CONNECTOR IS APPLIED TO P.C. BOARD.
- 5 RESTRICTED PART NUMBER, CONTACT ENGINEERING.
- 6 MATERIAL: HOUSING: POLYESTER. COLOR: GRAY. 94V-0. CONTACT: HIGH CURRENT COPPER ALLOY
- 7 REFERENCE APPLICATION SPEC 114-1103 FOR RECOMMENDED PLATED THRU HOLE DIAMETER AND PLATING THICKNESS.
- 8 CURRENT RATING 10A/CONTACT FOR PHOS BRONZE CONTACTS AND 16A/CONTACT FOR HIGH CURRENT COPPER ALLOY CONTACTS PER PRODUCT SPEC 108-1651.
- 9 P/N 5-5223955-5 SAME AS P/N 5-5223955-2, DIFFERENT TRAY PACKAGE FOR GRIPPER.



SECTION W-W
SCALE 40:1

RECOMMENDED PCB HOLE LAYOUT

UPM HC POWER	1 2 3 6	5-5223955-5
UPM HC POWER	2 3 6	5-5223955-2
UPM STD POWER	1 2 3 5	5223955-8
UPM STD POWER	1 2 3	5223955-2
DESCRIPTION	MATERIAL & FINISH	PART NUMBER

THIS DRAWING IS A CONTROLLED DOCUMENT.

DIMENSIONS: mm	TOLERANCES UNLESS OTHERWISE SPECIFIED:	DIN B CARDO 108EC04	108EC04
0 PLC ± -	1 PLC ± 0.3	CHK R PATTERSON 108EC04	108EC04
2 PLC ± 0.13	3 PLC ± 0.100	APP'D R PATTERSON 108EC04	108EC04
4 PLC ± -	ANGLES ± °	NAME	

STE TE Connectivity

PRODUCT SPEC: 108-1651
APPLICATION SPEC: 114-1103

SIZE: A1
CAGE CODE: 00779
DRAWING NO: 5223955
RESTRICTED TO: -

CUSTOMER DRAWING SCALE: 10:1 SHEET: 1 OF 1 REV: P2