

am^{OSRAM} AS8512

Datasheet

Published by ams-OSRAM AG
Tobelbader Strasse 30,
8141 Premstaetten Austria
Phone +43 3136 500-0
ams-osram.com

am^{OSRAM} OSRAM

Table of contents

1	General description	3
1.1	Key benefits & features	3
1.2	Applications	4
1.3	Block diagram	4
2	Ordering information	5
3	Pin assignments	6
3.1	Pin descriptions	6
4	Revision information	8
5	Legal information	9

AS8512 Battery pack current, voltage and temperature sensor

1 General description

The AS8512 is a virtually offset free, low noise, two channel measurement device. It is tailored to accurately measure battery current from mA range up to kA range in conjunction with a 100 $\mu\Omega$ shunt resistor in series with the battery rail. Through the second measurement channel it enables capture of, either battery voltage synchronous with the current measurement, or, measure the analog output of an internal or external temperature sensor. Both channels are matched and can either measure small signals up to ± 160 mV versus ground, through programmable gain amplifier or larger signals in the 0 to 1V range without the amplifier.

After analog to digital conversion and filtering, the resulting 16-bit data is accessible via 4-wire standard serial interface (SPI).

1.1 Key benefits & features

The benefits and features of AS8512 are listed below:

Table 1: Added value of using AS8512

Benefits	Features
<ul style="list-style-type: none">• Low supply voltage	<ul style="list-style-type: none">• 3.3V supply voltage
<ul style="list-style-type: none">• Redundant measurement possibility	<ul style="list-style-type: none">• Two high resolution 16-bit Σ-Δ A/D converters
<ul style="list-style-type: none">• Flexible configuration	<ul style="list-style-type: none">• Programmable sampling to enable data throughputs from less than 1Hz to 8kHz
<ul style="list-style-type: none">• Unique measurement principle	<ul style="list-style-type: none">• Zero offset for both channels

- Precision, low noise, programmable gain amplifiers for both channels with gains 5, 25, 40, 100 to support wide dynamic ranges.
- Option for multiplexing either one differential input, or two single ended inputs or the internal temperature sensor on one channel.
- Programmable current source for external temperature sensor connectable to any of the inputs.
- High precision and high stability 1.2V reference voltage source.
- Digital signal processing with filter options for both channels.
- Four operating modes providing

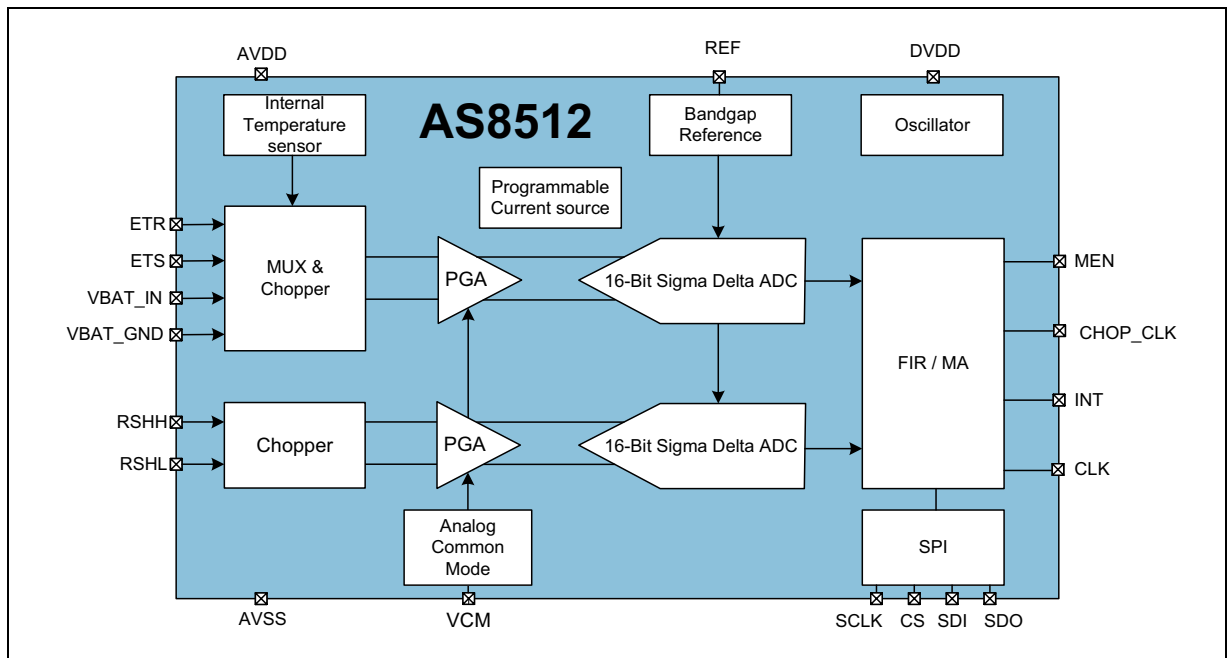
- Continuous data acquisition (or)
- Periodic single-shot acquisition, (or)
- Continuous acquisition on threshold crossing of programmed current levels (or)
- A combination of the above
- On chip high-precision 4MHz RC oscillator or option for external clock.
- -40°C to 105°C ambient operation.
- Chip ID feature
- SSOP-20 pin package.

1.2 Applications

The AS8512 is ideal for shunt based batteries sensor - Battery pack current, voltage & temperature measurement.

1.3 Block diagram

Figure 1: AS8512 block diagram

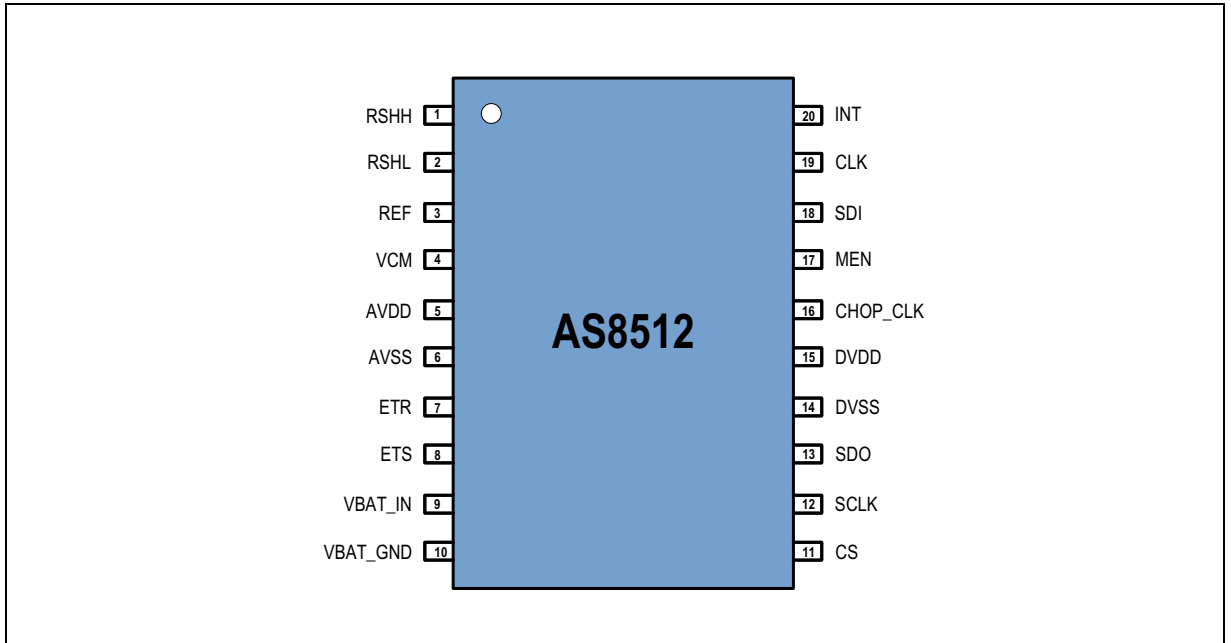


2 Ordering information

Ordering code	Description	Delivery form	Package
AS8512-ZSSP	Data acquisition device for battery sensors	Tape and reel (2000 pcs)	20-pin SSOP
AS8512-ZSSM	Data acquisition device for battery sensors	Tape and reel (500 pcs)	20-pin SSOP

3 Pin assignments

Figure 2: Pin assignment of AS8512 (Top View)



3.1 Pin descriptions

Table 2: Pin description of AS8512

Pin number	Pin name	Pin type	Description
1	RSHH	Analog input	Positive differential input for current channel
2	RSHL		Negative differential input for current channel
3	REF	Analog output	Internal reference voltage to sigma-delta ADC; connect 100nF to AVSS from this pin.
4	VCM		Common mode voltage to the internal measurement path; connect 100nF to AVSS from this pin.
5	AVDD	Supply pad	+3.3V analog power-supply
6	AVSS		0V power-supply analog

Pin number	Pin name	Pin type	Description
7	ETR	Analog input	Voltage channel single ended input
8	ETS		
9	VBAT_IN		Battery voltage (high) input
10	VBAT_GND		Battery voltage (low) input
11	CS	Digital input with pull-up	Chip select with an internal pull-up resistor (SPI Interface)
12	SCLK	Digital input	Clock signal (SPI Interface)
13	SDO	Digital output	Serial data input (SPI Interface)
14	DVSS	Supply pad	0V digital ground
15	DVDD		+3.3V digital supply
16	CHOP_CLK	Digital output	Chop clock used in High side measurements to synchronize external chopper.
17	MEN		Digital output issued during the Standby Mode (SBM) to signal the short duration of data sampling. This signal is useful in the case of a High Side Measurement application.
18	SDI	Digital input	Data signal (SPI Interface)
19	CLK	Digital I/O	By default this pin is the internal clock output which can be used by a microcontroller. The internal clock may also be disabled as an output by programming Register 08. To use an external Clock, Register 08 has to be programmed.
20	INT	Digital output	Active high Interrupt to indicate data is ready

4 Revision information

Document status	Product status	Definition
Product Preview	Pre-Development	Information in this datasheet is based on product ideas in the planning phase of development. All specifications are design goals without any warranty and are subject to change without notice
Preliminary Datasheet	Pre-Production	Information in this datasheet is based on products in the design, validation or qualification phase of development. The performance and parameters shown in this document are preliminary without any warranty and are subject to change without notice
Datasheet	Production	Information in this datasheet is based on products in ramp-up to full production or full production which conform to specifications in accordance with the terms of ams-OSRAM AG standard warranty as given in the General Terms of Trade

Other definitions

Draft / Preliminary:

The draft / preliminary status of a document indicates that the content is still under internal review and subject to change without notice. ams-OSRAM AG does not give any warranties as to the accuracy or completeness of information included in a draft / preliminary version of a document and shall have no liability for the consequences of use of such information.

Short Datasheet:

A short datasheet is intended for quick reference only, it is an extract from a full datasheet with the same product number(s) and title. For detailed and full information always see the relevant full datasheet. In case of any inconsistency or conflict with the short datasheet, the full datasheet shall prevail.

Changes to current revision v1-00

Page

This short datasheet is derived from v1-00 of full datasheet

- Page and figure numbers for the previous version may differ from page and figure numbers in the current revision.
- Correction of typographical errors is not explicitly mentioned.

5 Legal information

Copyright & disclaimer

Copyright ams-OSRAM AG, Tobelbader Strasse 30, 8141 Premstaetten, Austria-Europe. Trademarks Registered. All rights reserved. The material herein may not be reproduced, adapted, merged, translated, stored, or used without the prior written consent of the copyright owner.

Devices sold by ams-OSRAM AG are covered by the warranty and patent indemnification provisions appearing in its General Terms of Trade. ams-OSRAM AG makes no warranty, express, statutory, implied, or by description regarding the information set forth herein. ams-OSRAM AG reserves the right to change specifications and prices at any time and without notice. Therefore, prior to designing this product into a system, it is necessary to check with ams-OSRAM AG for current information. This product is intended for use in commercial applications. Applications requiring extended temperature range, unusual environmental requirements, or high reliability applications, such as military, medical life-support or life-sustaining equipment are specifically not recommended without additional processing by ams-OSRAM AG for each application. This product is provided by ams-OSRAM AG "AS IS" and any express or implied warranties, including, but not limited to the implied warranties of merchantability and fitness for a particular purpose are disclaimed.

ams-OSRAM AG shall not be liable to recipient or any third party for any damages, including but not limited to personal injury, property damage, loss of profits, loss of use, interruption of business or indirect, special, incidental or consequential damages, of any kind, in connection with or arising out of the furnishing, performance or use of the technical data herein. No obligation or liability to recipient or any third party shall arise or flow out of ams-OSRAM AG rendering of technical or other services.

Product and functional safety devices/applications or medical devices/applications:

ams-OSRAM AG components are not developed, constructed or tested for the application as safety relevant component or for the application in medical devices. ams-OSRAM AG products are not qualified at module and system level for such application.

In case buyer – or customer supplied by buyer – considers using ams-OSRAM AG components in product safety devices/applications or medical devices/applications, buyer and/or customer has to inform the local sales partner of ams-OSRAM AG immediately and ams-OSRAM AG and buyer and/or customer will analyze and coordinate the customer-specific request between ams-OSRAM AG and buyer and/or customer.

ams OSRAM semiconductor RoHS compliance statement

RoHS compliant: The term RoHS compliant means that ams-OSRAM AG semiconductor products fully comply with current RoHS directives. Our semiconductor products do not contain any chemicals for all 6 substance categories plus additional 4 substance categories (per amendment EU 2015/863), including the requirement that lead not exceed 0.1% by weight in homogeneous materials.

Important information: The information provided in this statement represents ams-OSRAM AG knowledge and belief as of the date that it is provided. ams-OSRAM AG bases its knowledge and belief on information provided by third parties, and makes no representation or warranty as to the accuracy of such information. Efforts are underway to better integrate information from third parties. ams-OSRAM AG has taken and continues to take reasonable steps to provide representative and accurate information but may not have conducted destructive testing or chemical analysis on incoming materials and chemicals. ams-OSRAM AG and ams-OSRAM AG suppliers consider certain information to be proprietary, and thus CAS numbers and other limited information may not be available for release.

Headquarters

ams-OSRAM AG
Tobelbader Strasse 30
8141 Premstaetten
Austria, Europe
Tel: +43 (0) 3136 500 0

Please visit our website at ams-osram.com

For information about our products go to [Products](#)

For technical support use our [Technical Support Form](#)

For feedback about this document use [Document Feedback](#)

For sales offices and branches go to [Sales Offices / Branches](#)

For distributors and sales representatives go to [Channel Partners](#)